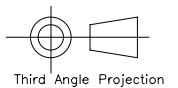
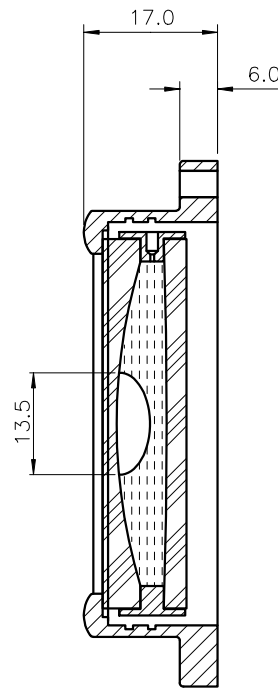
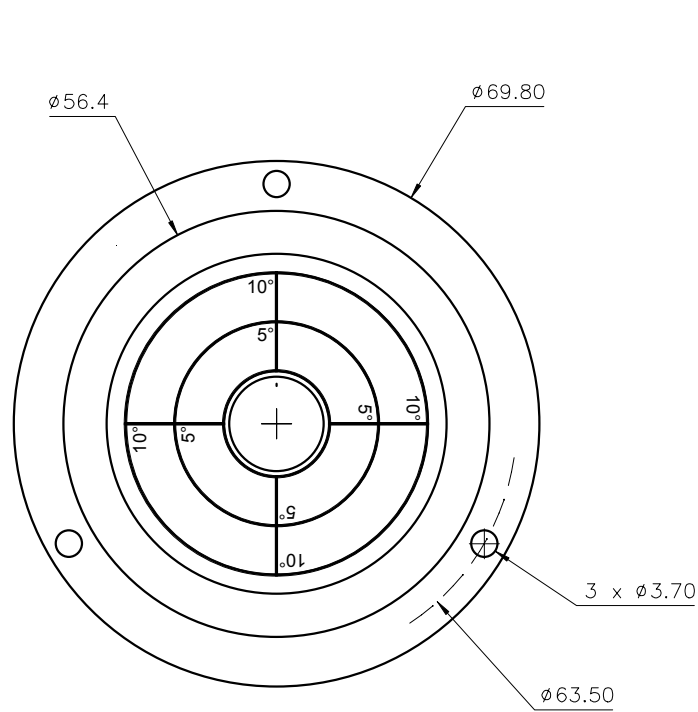


Used On	Scale 1:1	Title Circular Level $\phi 69.6$ , $\pm 10^\circ$ range	Drawing Number 3111/1	
			Issue 1	Amendment Small Dimensional Changes
				Date 09/12/2014

Note :

Temp. Range:  $-40$  to  $+70^\circ\text{C}$   
 Centre Ring :  
 Outside diameter :  $\phi 14.5\text{mm}$   
 Colour : Black  
 Printed on inside surface of glass top lens  
 Bubble :  $\phi 13.5 \pm 0.3$  ( $@20^\circ\text{C}$ )  
 Backing: White

Part Number	Sensitivity	Finish
CG70/10deg	5'/6.5mm	Chrome plated
CG70B/10deg	5'/6.5mm	Black anodised



Finish See table	Tolerances Unless Stated Otherwise (mm Units)	XX. +/- 1.0 XX.X +/- 0.25 XX.XX +/- 0.1	Material Aluminium housing, glass vial	Date 02/10/2009	Level Developments Ltd Croydon, Surrey, CR0 2DN t.+44 (0)20 8684 1400
			Drawn By JHL		