

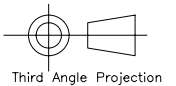
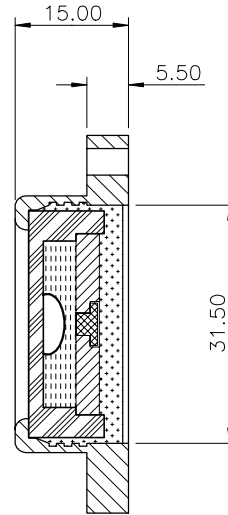
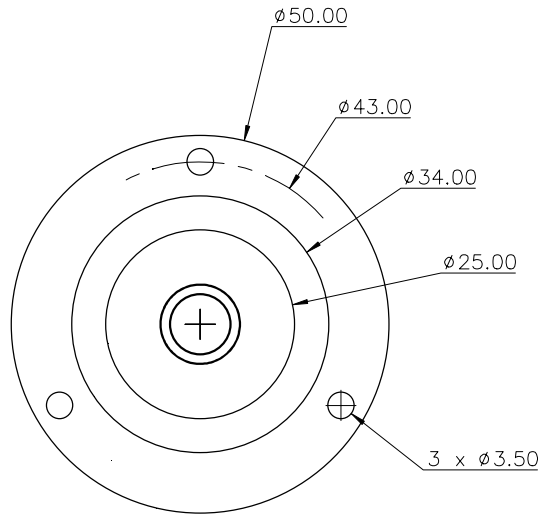
Used On	Scale 1:1	Title CP50 circular level, $\phi 50$, sens 37'/2mm	Drawing Number 3128/1
---------	--------------	--	--------------------------

Issue	Amendment	Date
-------	-----------	------

Note :

Temp. Range: -25 to +65°C
 Centre Ring :
 Outside diameter : $\phi 9.0$ mm
 Colour : Black
 Printed on outside surface of glass top lens
 Bubble : $\phi 7.2 \pm 0.5$ (@20°C)
 Backing: White

Part Number	Sensitivity	Finish
CP50	37'/2mm	Chrome plated
CP50B	37'/2mm	Black anodised



Finish See Table	Tolerances Unless Stated Otherwise (mm Units)	XX. +/- 1.0	Material Aluminium housing with plastic vial	Level Developments Ltd	
		XX.X +/- 0.25		Drawn By JHL	Date 04/11/2009
		XX.XX +/- 0.1			