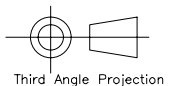
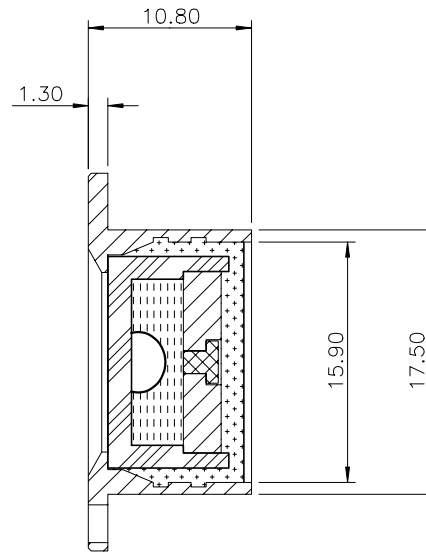
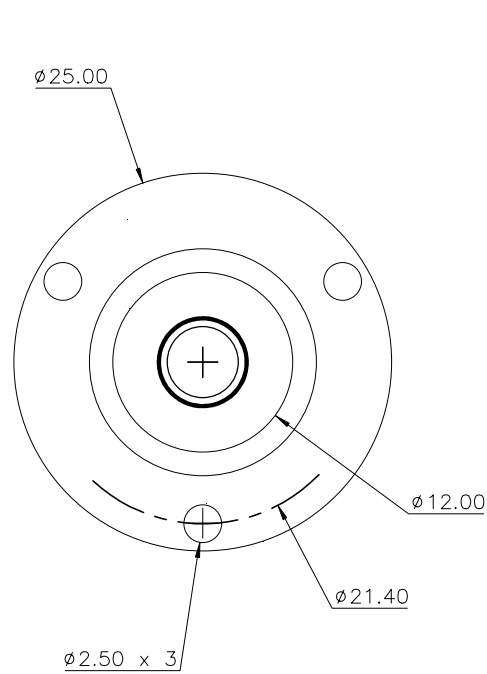


Note :

-----  
 Temp. Range: -20 to +65°C  
 Centre Ring :  
   Outside diameter : Ø6.1mm  
   Colour : Black  
   Printed on outside surface of vial top lens  
 Bubble : Ø4.8 ±0.5 (@20°C)  
 Backing: White

Part Number	Sensitivity	Finish
CPF25	34'/2mm	Chrome plated
CPF25/53	53'/2mm	Chrome plated
CPF25/92	92'/2mm	Chrome plated
CPF25B	34'/2mm	Black anodised
CPF25B/53	53'/2mm	Black anodised
CPF25B/92	92'/2mm	Black anodised



Third Angle Projection