

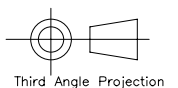
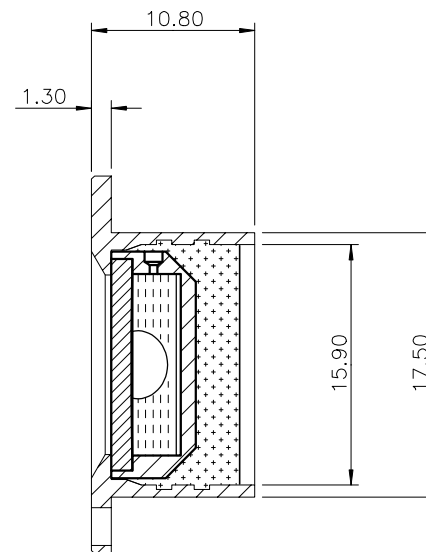
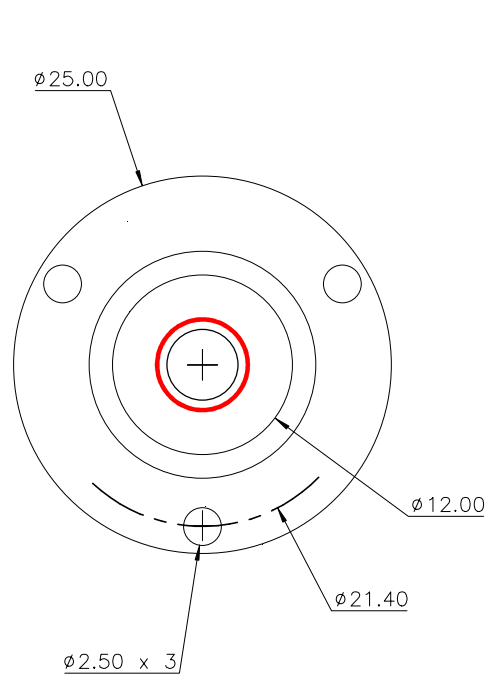
Used On	Scale 2:1	Title CGF25 Flush Mounted Circular level, Ø25	Drawing Number 3146/1
---------	---------------------	---	---------------------------------

Issue	Amendment	Date
1	Chrome finish changed to nickel plating	29/10/21

Note :

Temp. Range: -40 to +70°C
 Centre Ring :
 Outside diameter : Ø6.3mm
 Colour : Red
 Printed on inside surface of glass top lens
 Bubble : Ø4.7 ±0.25 (@20°C)
 Backing: Silver

Part Number	Sensitivity	Finish
CGF25	20"/2mm	Nickel Plated
CGF25/7	7"/2mm	Nickel Plated
CGF25B	20"/2mm	Black anodised
CGF25B/7	7"/2mm	Black anodised



Finish See Table	Tolerances Unless Stated Otherwise (mm Units)	XX. +/- 1.0	Material Aluminium housing, glass vial	Level Developments Ltd Croydon, Surrey, CR0 2DN t.+44 (0)20 8684 1400	
		XX.X +/- 0.25			
	XX.XX +/- 0.1	Drawn By JHL	Date 30/10/2009		