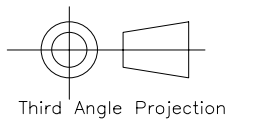
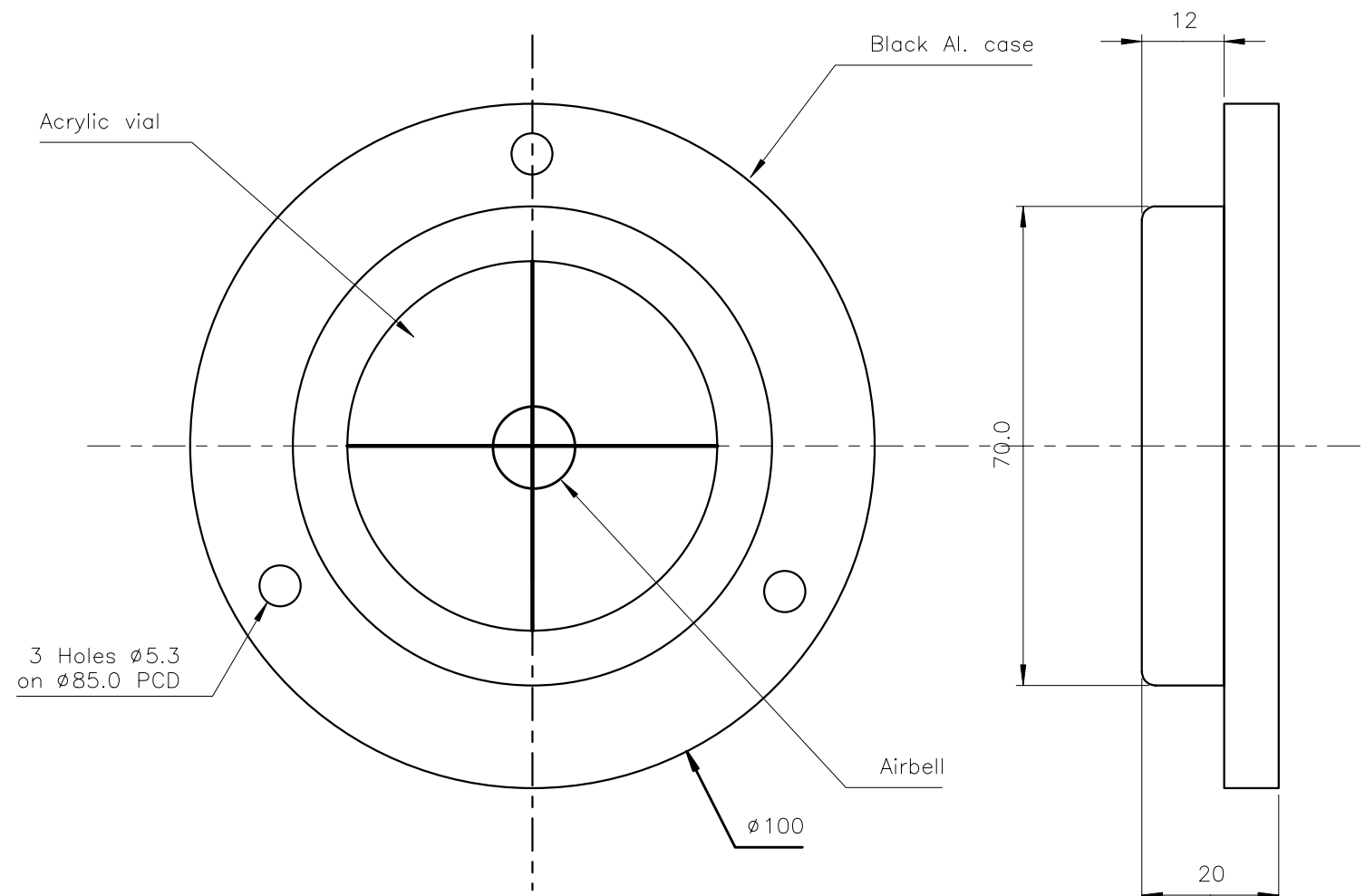


| | | | | |
|-------------------|--------------|---|--------------------------|------|
| Used On 5229/1 | Scale 1:1 | Title Large diameter heavy duty circular level | Drawing Number 3160/1 | |
| | | Issue | Amendment | Date |

Vial sensitivity : 1 degree for 1.7mm airbell movement



| | | | | | |
|--------------------------|--|-----------------|---|--|--|
| Finish Black Anodised | Tolerances Unless Stated Otherwise (mm Units) | XX. +/- 1.0 | Material Aluminium housing PMMA vial | Level Developments Ltd Croydon, Surrey, CR0 2DN t.+44 (0)20 8684 1400 | |
| | | XX.X +/- 0.25 | | | |
| | | XX.XX +/- 0.1 | | | |