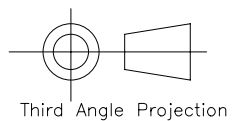
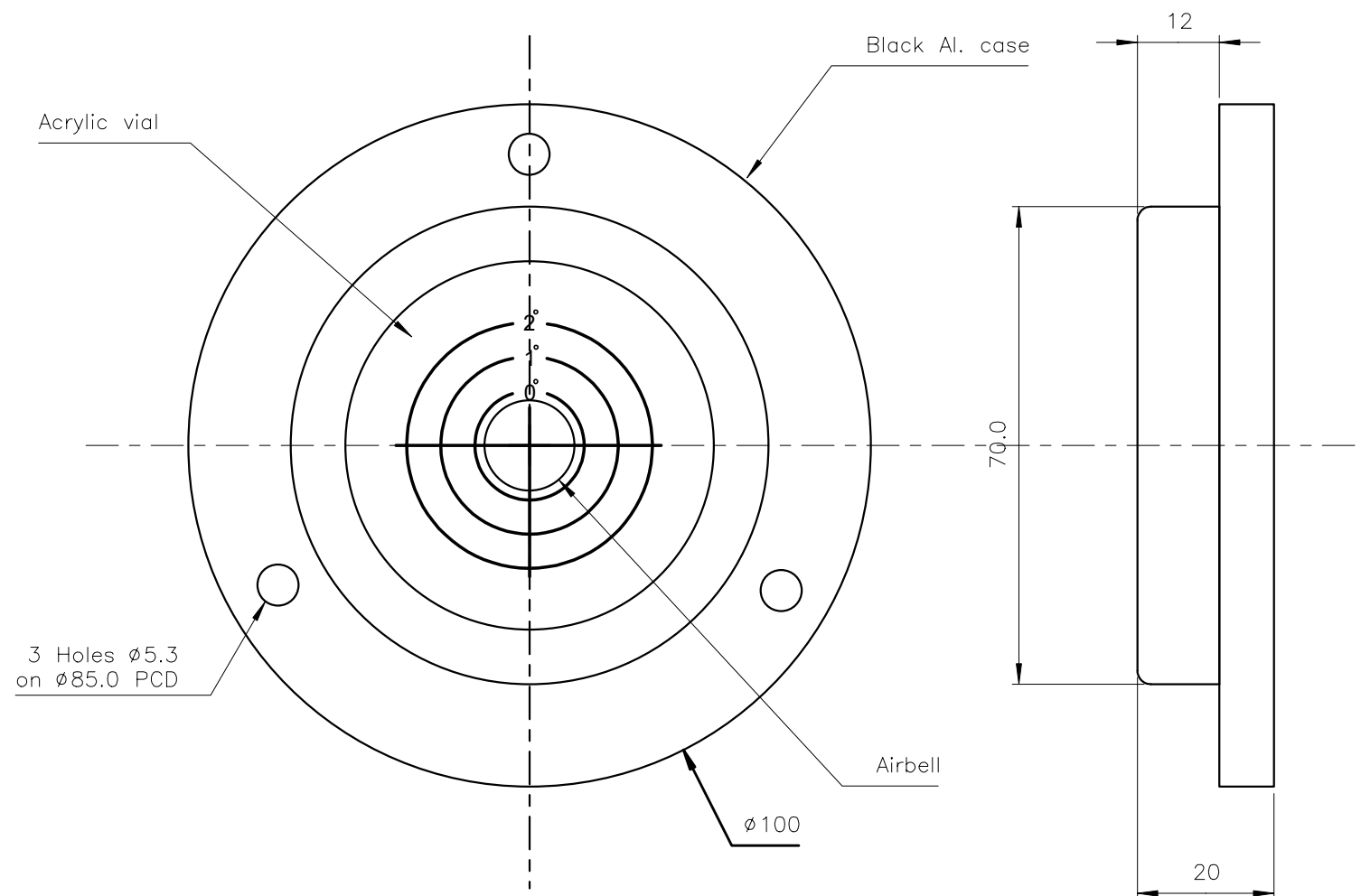


Used On 5229/2	Scale 1:1	Title Large diameter heavy duty circular level	Drawing Number 3161/1	
Issue		Amendment		Date
1		Added bubble size "15mm ±0.7mm @ 20°C"		25/11/19

Vial sensitivity : 1 degree for 5mm airbell movement  
Bubble  $\phi$ 15mm  $\pm$ 0.7mm @ 20°C



Finish Black Anodised	Tolerances Unless Stated Otherwise (mm Units)	XX. +/- 1.0	Material Aluminium housing PMMA vial	Level Developments Ltd Croydon, Surrey, CR0 2DN t.+44 (0)20 8684 1400	
		XX.X +/- 0.25			
		XX.XX +/- 0.1			