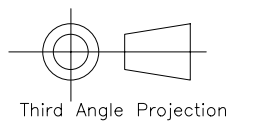
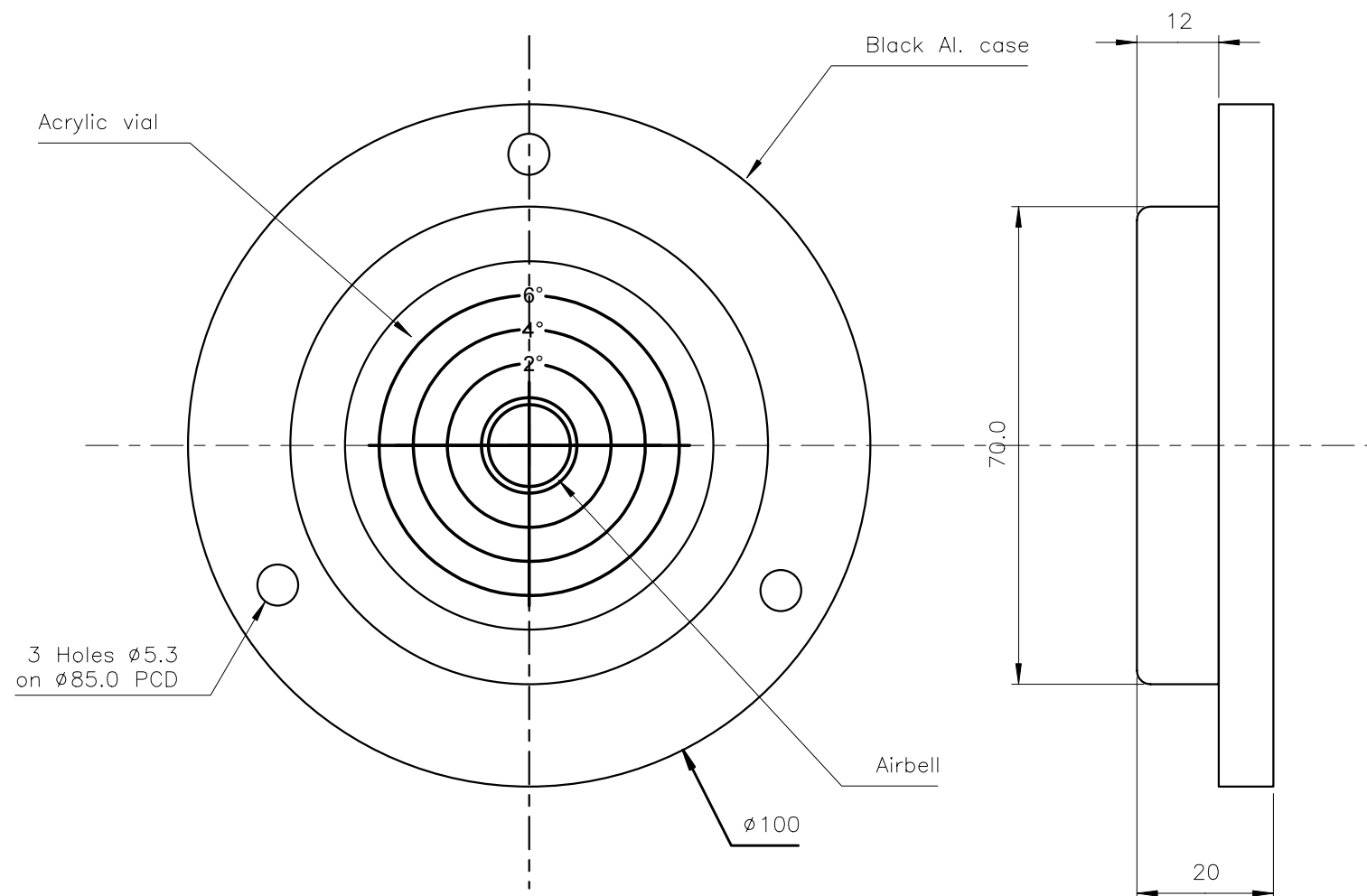


Used On 5229/3	Scale 1:1	Title Large diameter heavy duty circular level	Drawing Number 3161/1	
		Issue	Amendment	Date

Vial sensitivity : 2° for 5mm airbell movement



Finish Black Anodised	Tolerances Unless Stated Otherwise (mm Units)	XX. +/- 1.0 XX.X +/- 0.25 XX.XX +/- 0.1	Material Aluminium housing PMMA vial	Drawn By JHL	Date 12/09/2004	Level Developments Ltd Croydon, Surrey, CR0 2DN t.+44 (0)20 8684 1400
--------------------------	--	---	--------------------------------------	--------------	-----------------	--