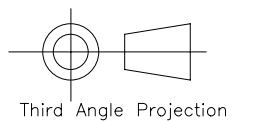
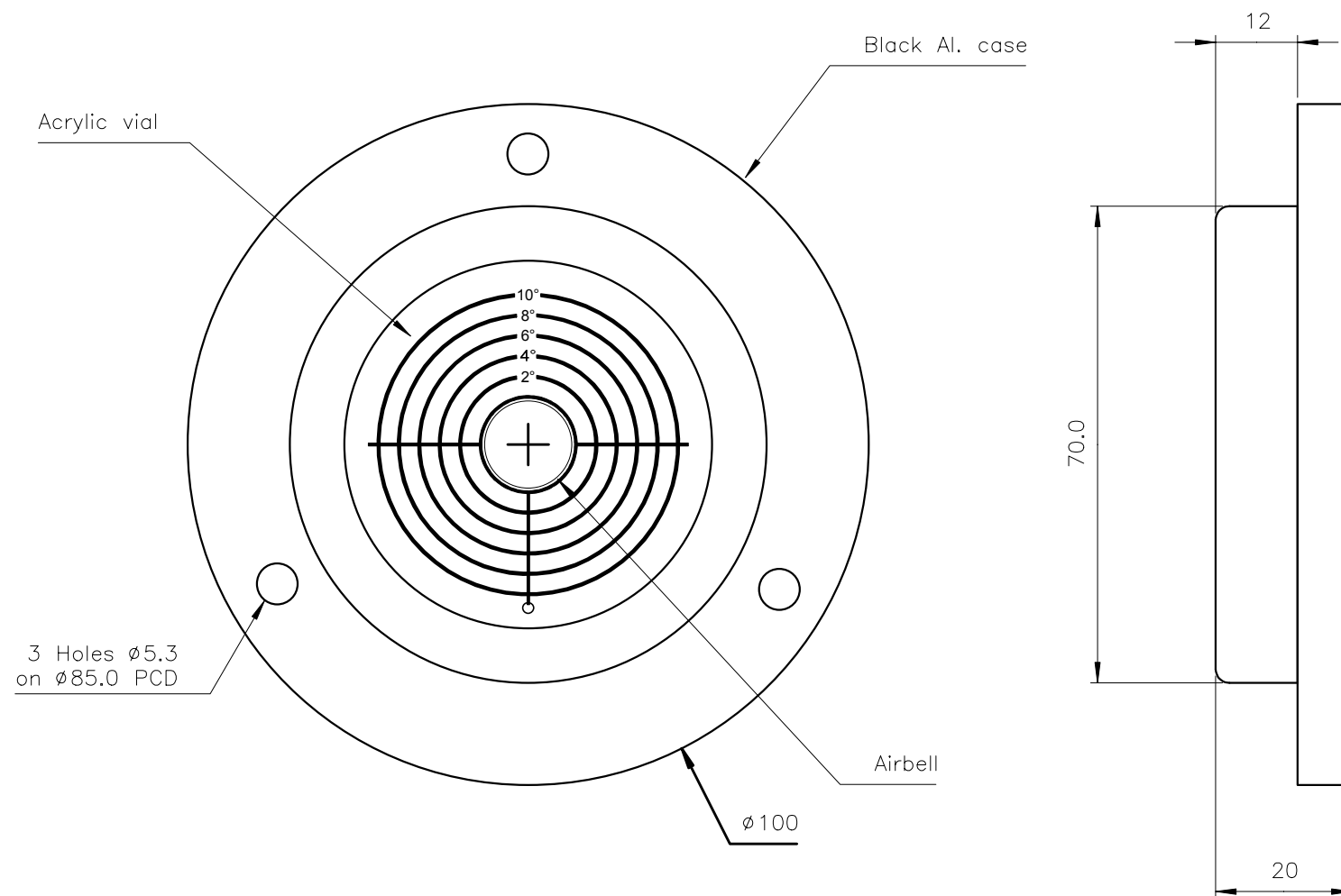


Used On 5229/5	Scale 1:1	Title Large diameter heavy duty circular level	Drawing Number 3164/1
-------------------	--------------	---	--------------------------

Issue	Amendment	Date
-------	-----------	------

Sensitivity 1 degree per 3.2mm bubble movement.  
Bubble  $\phi$ 12.5mm @ 20°C



Finish Black Anodised	Tolerances Unless Stated Otherwise (mm Units)	XX. +/- 1.0 XX.X +/- 0.25 XX.XX +/- 0.1	Material Aluminium housing PMMA vial	Level Developments Ltd Croydon, Surrey, CR0 2DN t.+44 (0)20 8684 1400
	Drawn By	JHL	Date	