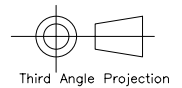
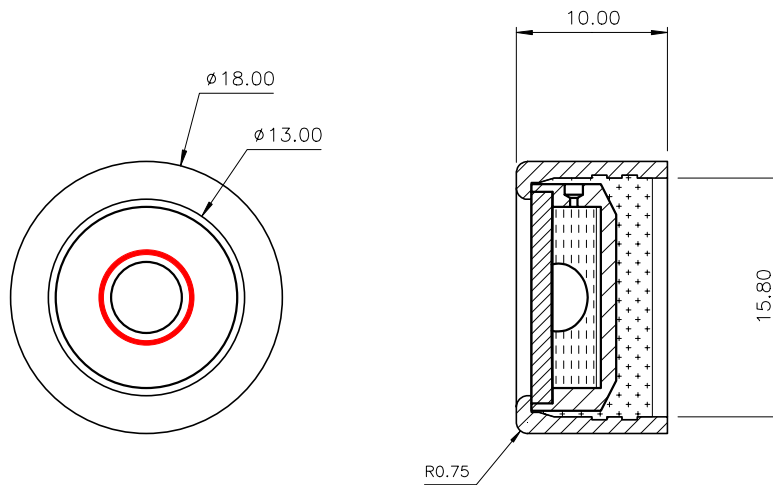


Used On CIG18	Scale 2:1	Title Circular borehole level, Ø18mm	Drawing Number 3171/1
------------------	--------------	---	--------------------------

Issue	Amendment	Date
-------	-----------	------

Note :

Sensitivity : 20"/2mm
Temp. Range: -30 to +70°C
Centre Ring :
 Outside diameter : Ø6mm
 Colour : Red
 Printed on inside surface of glass top lens
Bubble : Ø4.7 ±0.25 (@20°C
Backing: Silver



Finish Chrome plate	Tolerances Unless Stated Otherwise (mm Units)	XX. +/- 1.0	Material Aluminium housing, glass vial	Level Developments Ltd Croydon, Surrey, CR0 2DN t.+44 (0)20 8684 1400	
		XX.X +/- 0.25			
	XX.XX +/- 0.1	Drawn By JHL	Date 17/03/2009		