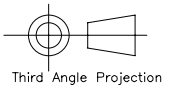
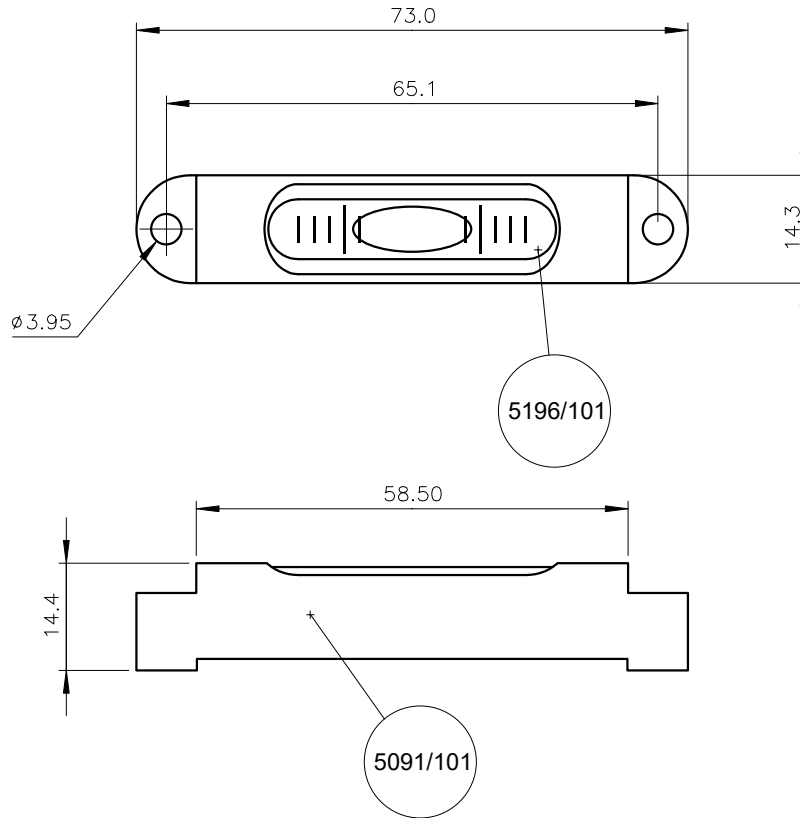


Used On	Scale 1:1	Title GP15 Instrument Level, 15'/div	Drawing Number 3201/1	
			Issue	Amendment
			1	Added divisions & changed spacing to 2mm
				Date 15.04.19

Note :
 Vial sensitivity : 15 minutes per 2mm division
 Level is set with reference to the flat feet



Finish Black Anodised	Tolerances Unless Stated Otherwise (mm Units)	XX. +/- 1.0	Material XXXXX	Level Developments Ltd	
		XX.X +/- 0.25		Drawn By XXXXX	Date XXXXXX
	XX.XX +/- 0.1				