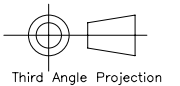
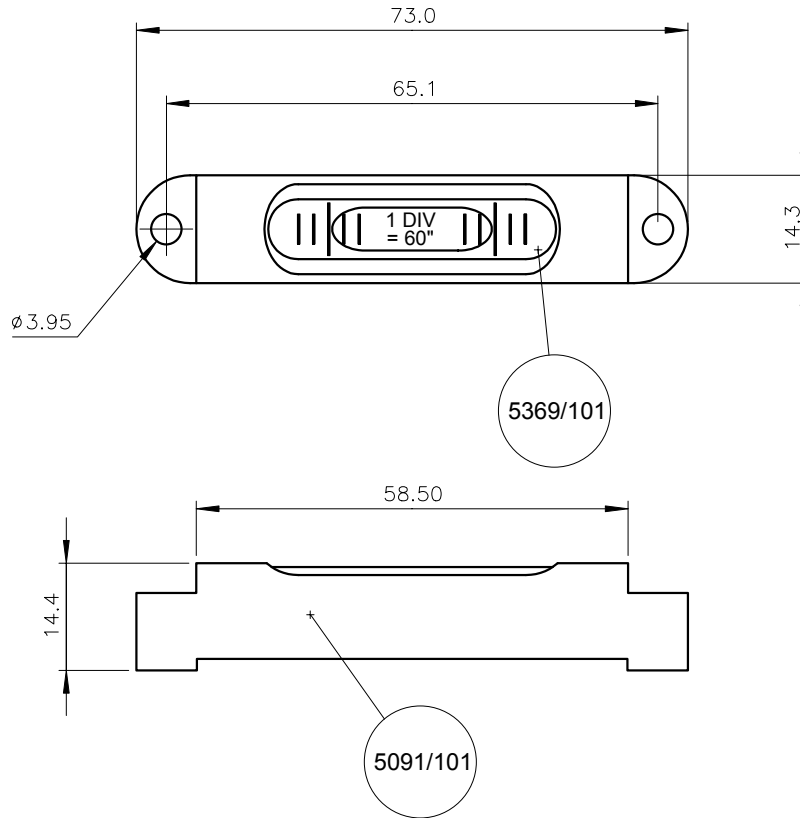


| | | | | |
|---------|--------------|--|--------------------------|-----------|
| Used On | Scale 1:1 | Title GP15/60 Instrument Level, 60"/div | Drawing Number 3202/1 | |
| | | | Issue | Amendment |
| | | | | Date |

Note :
 Vial sensitivity : 60" per 2mm division
 Level is set with reference to the flat feet within $\pm 15''$



| | | | | |
|--------------------------|--|---|--|--|
| Finish Black Anodised | Tolerances Unless Stated Otherwise (mm Units) | XX. +/- 1.0 XX.X +/- 0.25 XX.XX +/- 0.1 | Material Aluminium Housing, glass vial | Level Developments Ltd Croydon, Surrey, CR0 2DN t.+44 (0)20 8684 1400 |
| | | | Drawn By JHL | Date 01/07/2009 |