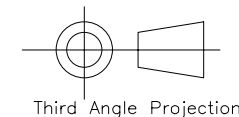
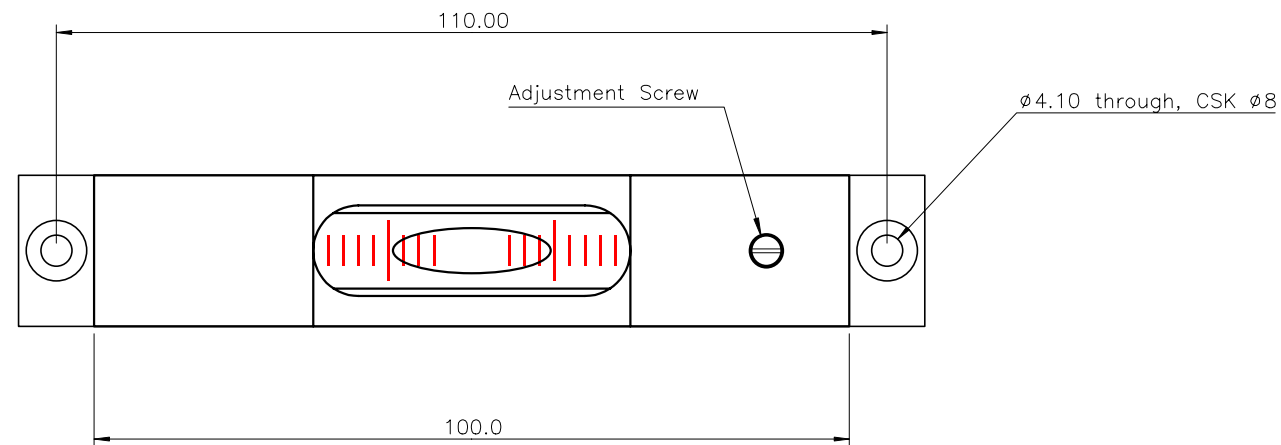


Used On 130	Scale 1:1	Title Precision Adjustable Screw On Level	Drawing Number 3215/1
----------------	--------------	--	--------------------------

Issue	Amendment	Date
-------	-----------	------

Part Number	Sensitivity
130/1	1mm/m per div
130/0.4	0.4mm/m per div
130/0.1	0.1mm/m per div
130/0.05	0.05mm/m per div



Finish Paint	Tolerances Unless Stated Otherwise (mm Units)	XX. +/- 1.0	Material Steel base, Aluminium Cover, Glass Vial	Level Developments Ltd
		XX.X +/- 0.25		
		XX.XX +/- 0.1		Croydon, Surrey, CR0 2DN t.+44 (0)20 8684 1400