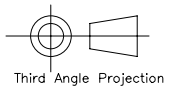
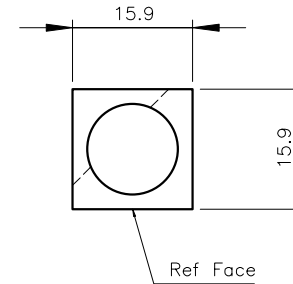
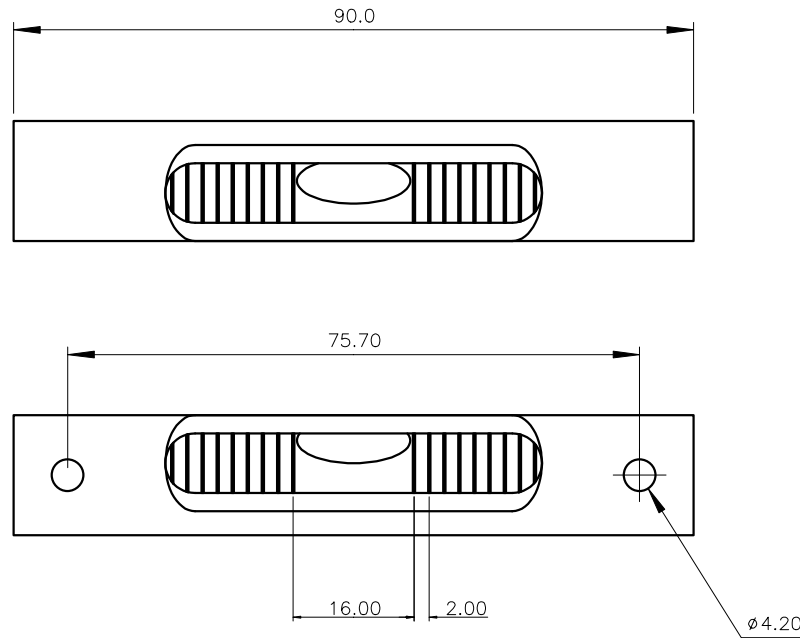


|                   |              |   |                          |
|-------------------|--------------|---|--------------------------|
| Used On<br>5525/1 | Scale<br>1:1 | Title<br>Screw on level, vertical surface, 6min/2mm | Drawing Number<br>3221/1 |
|-------------------|--------------|---|--------------------------|

| Issue | Amendment                          | Date       |
|-------|------------------------------------|------------|
| 1     | Details added                      | 10/06/2019 |
| 2     | Changed finish from enamel to zinc | 08/12/2023 |

Note:

-----  
Sensitivity : 6'/2mm (±20%)  
Bubble size : 15±0.5  
Accuracy : Levelled to ref face within 2'  
Vial : Glass  
Liquid : Clear  
Line Colour : Black  
Backing: White  
Case Colour: Black



|                      |   |                                       |  |                    |
|----------------------|---|---------------------------------------|--|--------------------|
| Finish<br>Black Zinc | Tolerances Unless Stated Otherwise (mm units)<br>XX. ±1.0<br>XX.X ±0.25<br>XX.XX ±0.1 | Material<br>Brass housing, glass vial | Level Developments Ltd                         |                    |
|                      |   |                                       | Drawn By<br>JHL                                | Date<br>26/03/2009 |
|                      |   |                                       | Croydon, Surrey, CR0 2DN t.+44 (0)20 8684 1400 |                    |