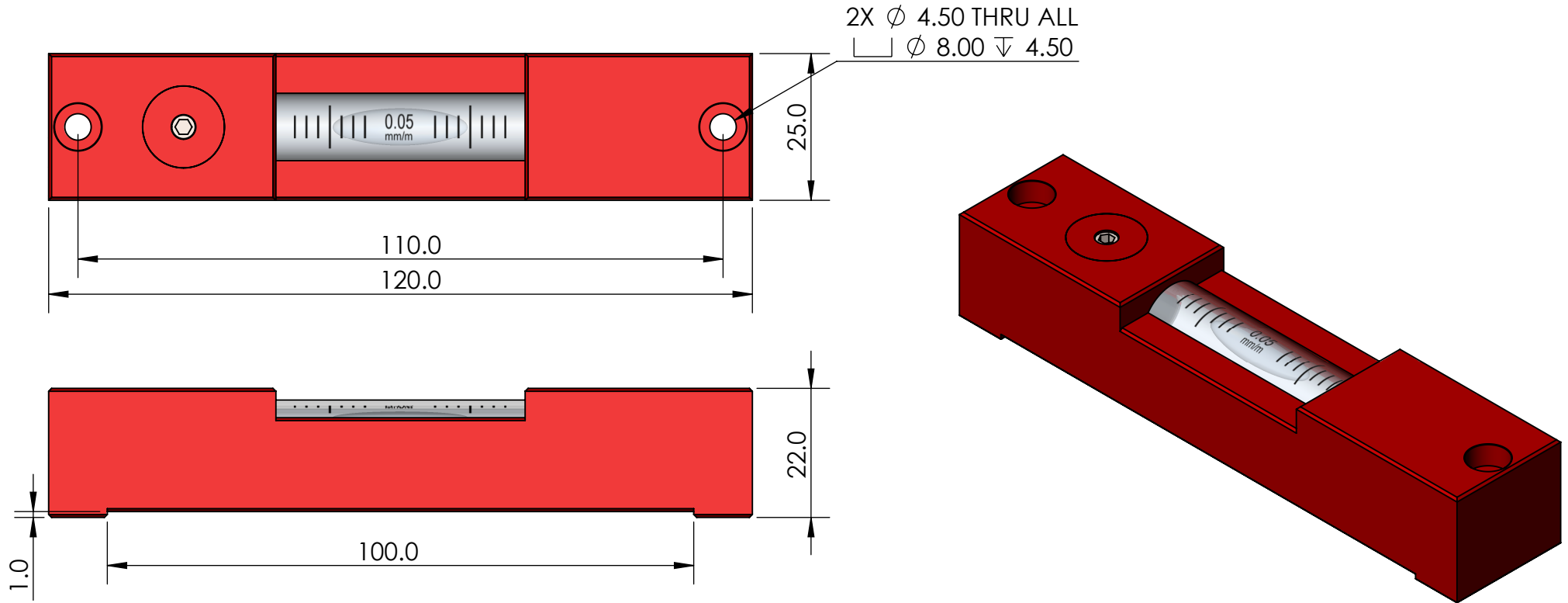
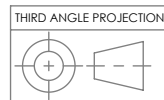


Sensitivity: See table  
 Adjustment range:  $\pm 1.25\text{mm/m}$  ( $\pm 250''$ )  
 Rigid adjustment  
 Temperature range:  $-30$  to  $65^\circ\text{C}$   
 Plastic cover to protect vial  
 Top and Side viewable

Part number	Sensitivity	Factory adjusted accuracy
PSL/0.02	0.02mm/m (4'') per 2 mm bubble movement	$\pm 0.0075\text{mm/m}$ ( $\pm 1.5''$ )
PSL/0.05	0.05mm/m (10'') per 2 mm bubble movement	$\pm 0.015\text{mm/m}$ ( $\pm 3''$ )
PSL/0.1	0.10mm/m (20'') per 2 mm bubble movement	$\pm 0.035\text{mm/m}$ ( $\pm 7''$ )
PSL/0.4	0.40mm/m (80'') per 2 mm bubble movement	$\pm 0.125\text{mm/m}$ ( $\pm 25''$ )



We reserve all intellectual property rights in connection with this document.  
 Copyright © - Level Developments Ltd



MATERIAL:	Mild Steel	Unless Otherwise Specified: Units: mm Tolerances: XX. ± 1.0 XX.X ± 0.25 XX.XX ± 0.1
FINISH:	Black Zinc Plated Red Powder Coat	
DRAWN NAME:	Jan Sandberg	DATE: 19/06/2015



FO055 - Issue 1

Issue	ECN	Notes	Date
TITLE:		Adjustable level	
DWG NO.		3223/1	A4
Used on:		SCALE: 1:1	