

Note:

Glass vial, Ø8mm with black ceramic ball

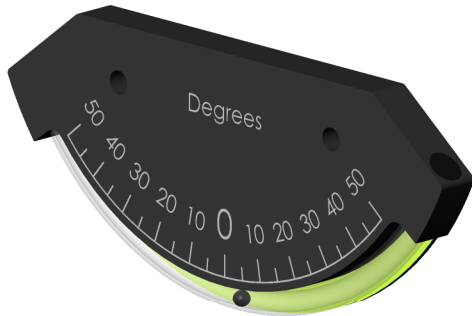
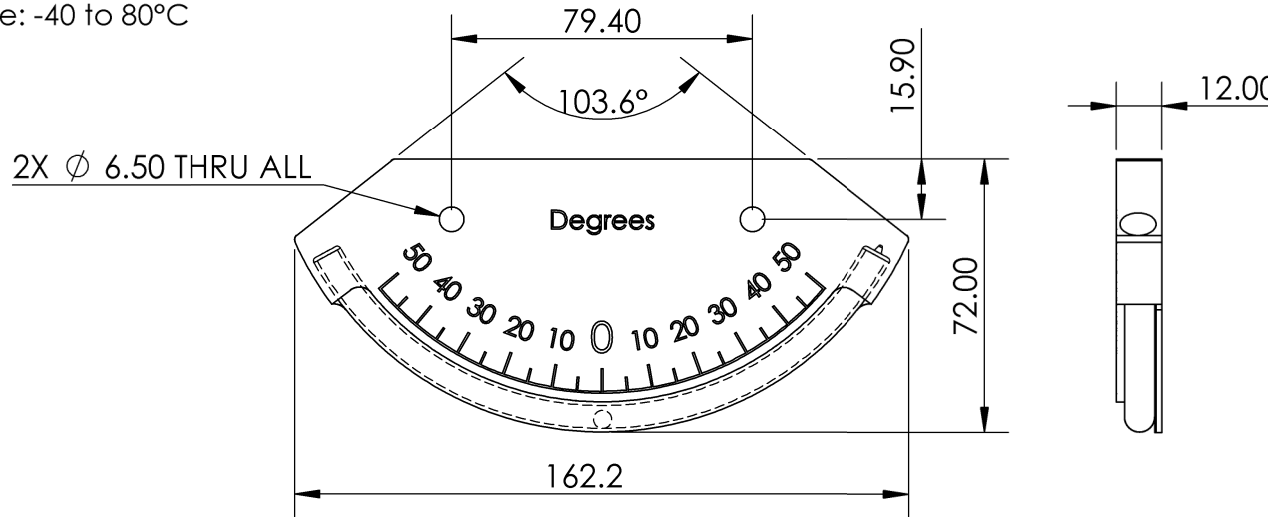
Engraved graduations and text

Filling: Clear liquid

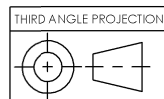
Operational temperature range: -20 to 70°C

Storage temperature range: -40 to 80°C

Yellow backing



We reserve all intellectual property rights in connection with this document. Copyright © - Level Developments Ltd



MATERIAL: Aluminium housing	Unless Otherwise Specified: Units: mm Tolerances: XX. ± 1.0 XX.X ± 0.25 XX.XX ± 0.1
FINISH: Black Anodised	
DRAWN NAME Jan Sandberg	DATE 10/05/2017



2	409	Change white printed graduation lines to laser engraving	04/06/2019
1		Opened for production	21/09/2017
Issue	ECN	Notes	Date
TITLE: BI-50 ball inclinometer ±50°			
DWG NO.		3303-1	A4
Used on:		SCALE:1:2	

FO055 - Issue 1