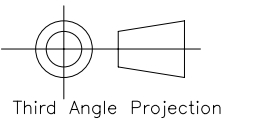
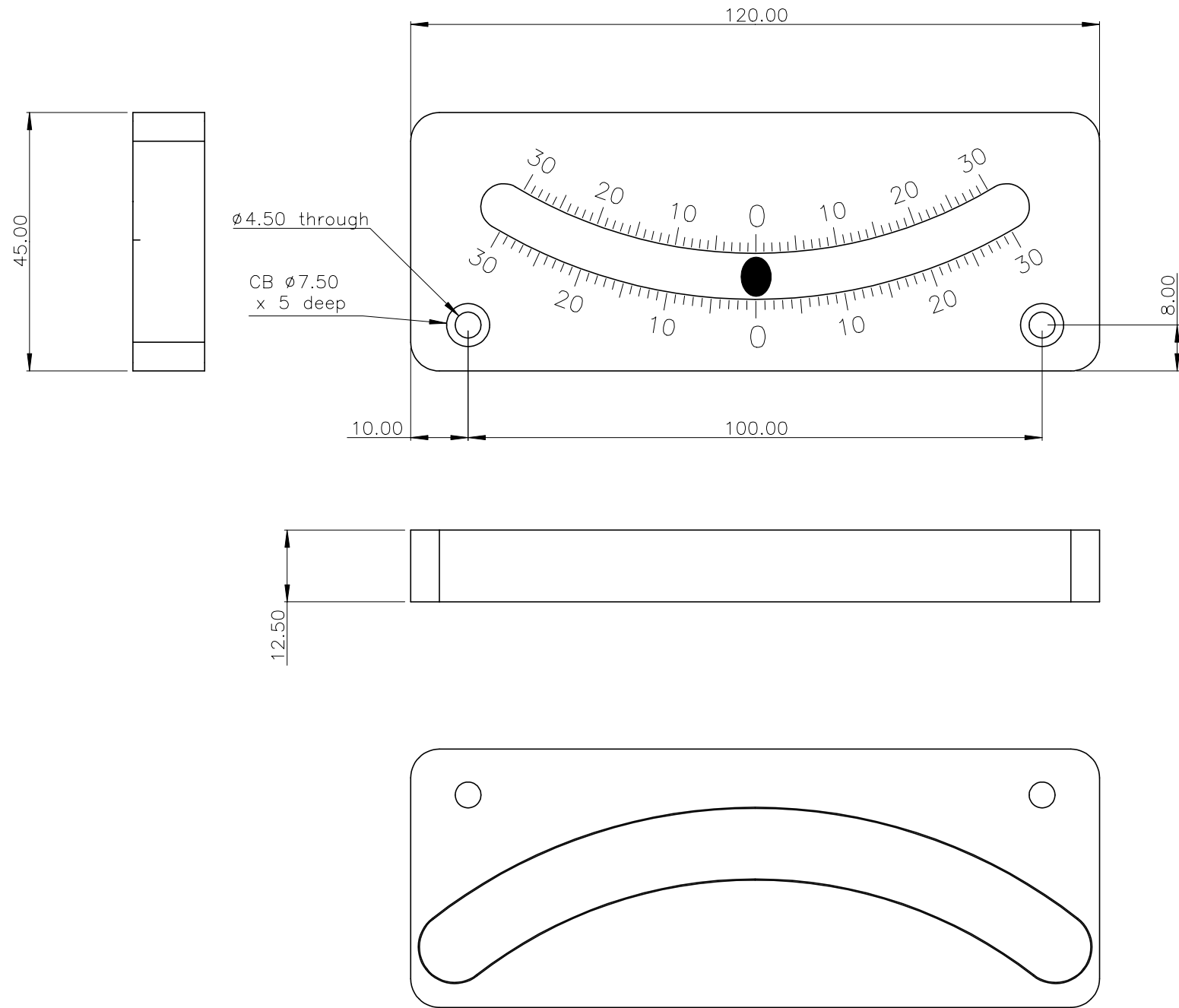


Used On 5923/1	Scale 1:1	Title Ball inclinometer, ±30°	Drawing Number 3311/1	
			Issue	Amendment
				Date



Finish	Tolerances Unless Stated Otherwise (mm Units)	XX.    +/- 1.0	Material    Black Acetal Housing, glass vial	Level Developments Ltd	
		XX.X   +/- 0.25			
	XX.XX   +/- 0.1		Croydon, Surrey, CR0 2DN t.+44 (0)20 8684 1400		