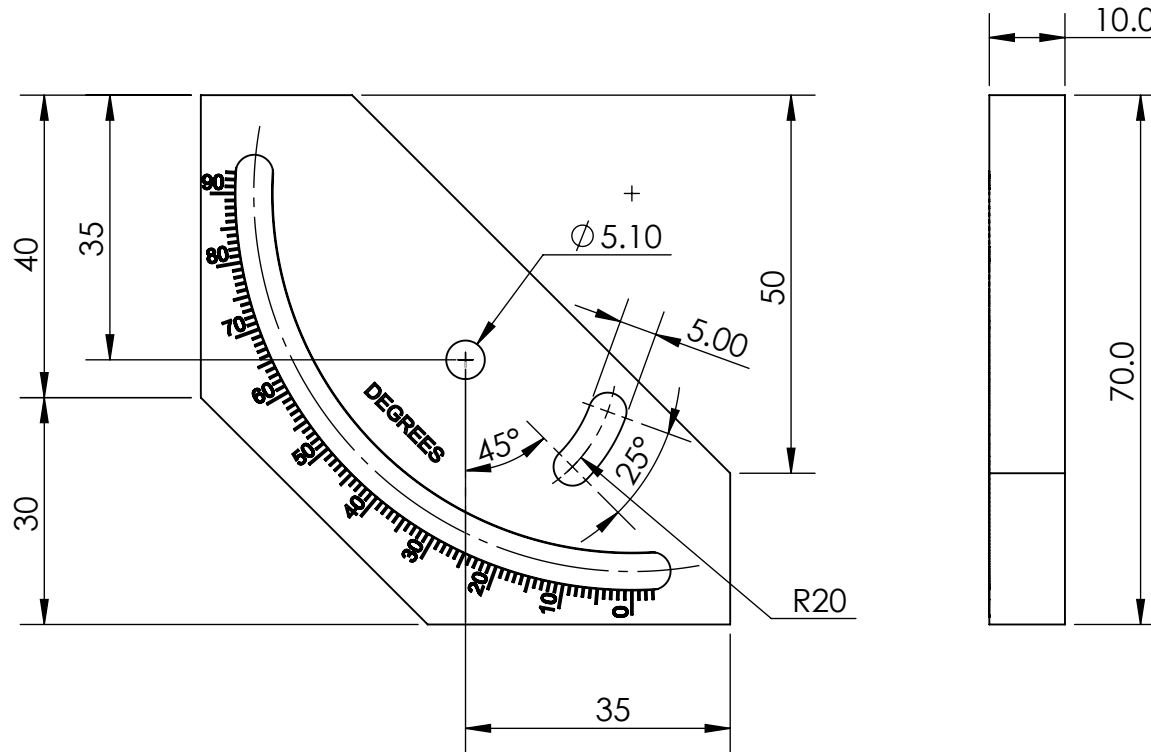
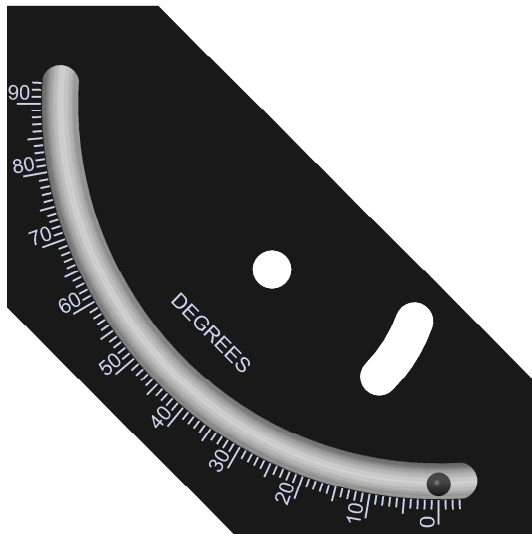
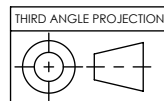


Note:  
 Anodised aluminium housing  
 Glass vial  
 White backing  
 Black ceramic ball  
 Accuracy  $\pm 10\%$   
 Temperature range -20 to 65°C



We reserve all intellectual property rights in connection with this document.  
 Copyright © - Level Developments Ltd



MATERIAL: Aluminium housing Glass vial	Unless Otherwise Specified: Units: mm Tolerances: XX. ± 1.0 XX.X ± 0.25 XX.XX ± 0.1
FINISH: Black Anodised	
DRAWN NAME Jan Sandberg	DATE 04/12/2017



FO055 - Issue 1

1	418	Material changed from black acetal	04/12/2017
Issue	ECN	Notes	Date
TITLE: 0-90° Ball Inclinometer			
DWG NO.		3313-1	A4
Used on:		SCALE:1:1	