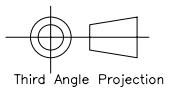
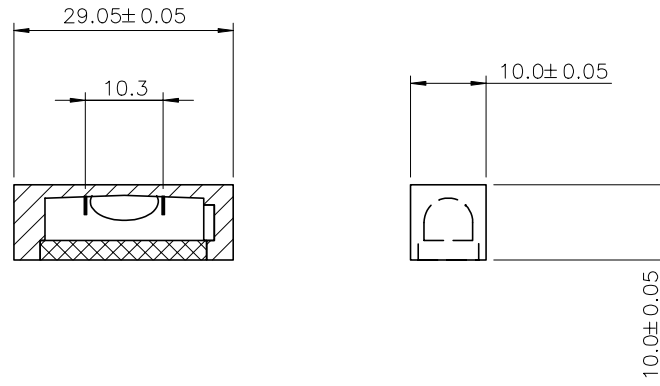


Used On SC29	Scale 1:1	Title SC29 Plastic Level Vial	Drawing Number 3425/1		
-----------------	--------------	----------------------------------	--------------------------	--	--

Issue	Amendment	Date
-------	-----------	------

Bubble Size : 8.7mm @ 20°C
Sensitivity 46"/2mm



Finish	Tolerances	XX. +/- 1.0	Material	PMMA	Level Developments Ltd Croydon, Surrey, CR0 2DN t.+44 (0)20 8684 1400
	Unless Stated	XX.X +/- 0.25	Drawn By	JHL	
	Otherwise	XX.XX +/- 0.1	Date	23/09/2006	