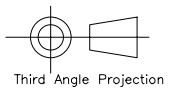
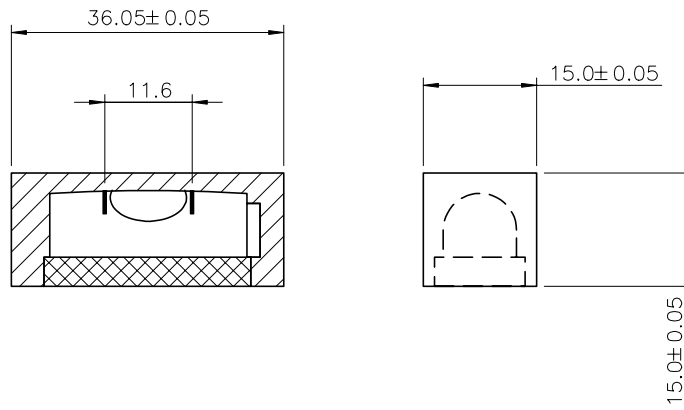


Used On SC36	Scale 1:1	Title SC36 Plastic Level Vial	Drawing Number 3427/1		
-----------------	--------------	----------------------------------	--------------------------	--	--

Issue	Amendment	Date
-------	-----------	------

Bubble Size : 10mm @ 20°C  
Sensitivity 46"/2mm



Finish	Tolerances Unless Stated Otherwise (mm Units)	XX. +/- 1.0 XX.X +/- 0.25 XX.XX +/- 0.1	Material PMMA	Level Developments Ltd	
	Drawn By JHL	Date 23/09/2006	Croydon, Surrey, CR0 2DN t.+44 (0)20 8684 1400		