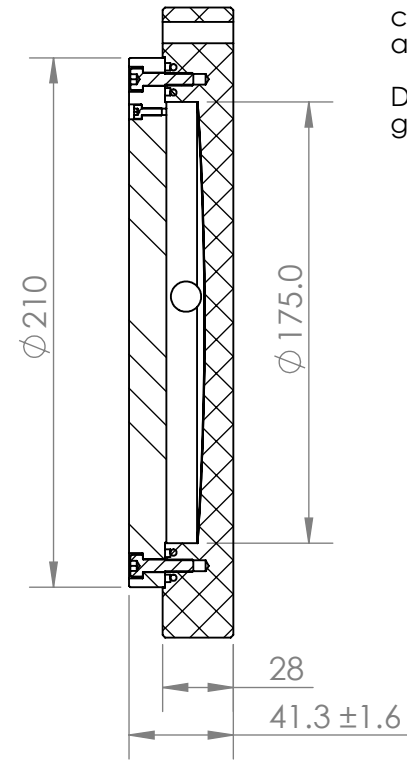
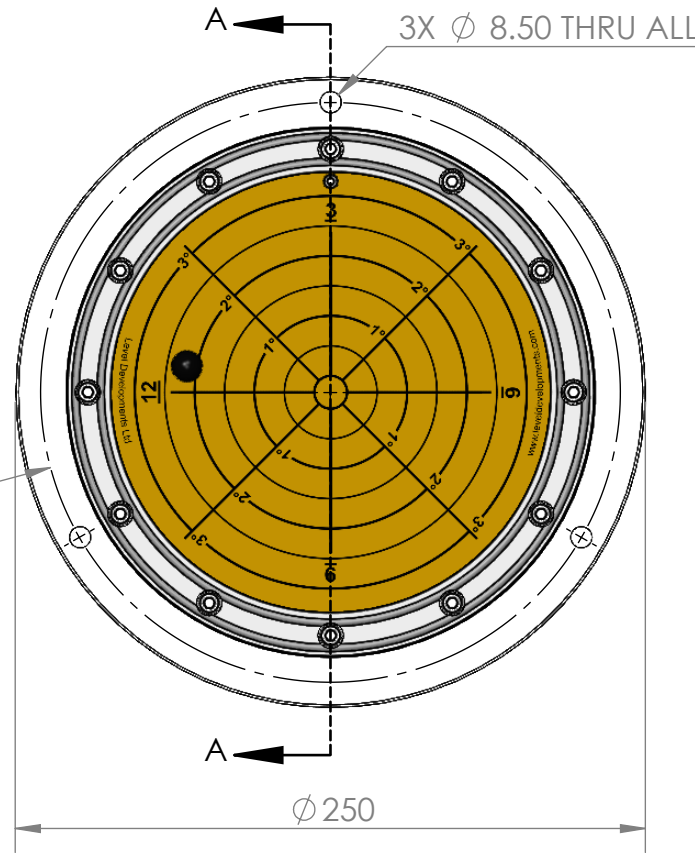


Note:
 Ball Inclinometer, $\pm 3^\circ$, liquid filled.
 Black Ceramic Ball, $\varnothing 12\text{mm}$
 Temperature range: -10 to 50°C
 Yellow (RAL1004) anti reflective backing
 Hi visibility black lines and numbers

Air bubble(s) may exist
 inside ($\leq 10\text{mm } \varnothing$), this
 does not affect quality or
 performance.

$\varnothing 230.00$ PCD

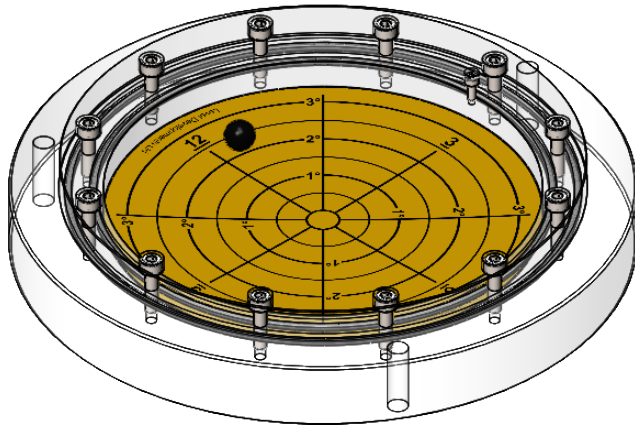


SECTION A-A

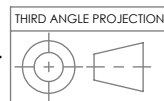
Storage and Handling Notice:

Exposure to rapid temperature
 change can introduce bubbles
 and/or affect their size.

Do not expose to large temperature
 gradients or store in direct sunlight.



We reserve all intellectual property
 rights in connection with this document.
 Copyright © - Level Developments Ltd



MATERIAL: Cast Acrylic	Unless Otherwise Specified: Units: mm Tolerances: XX. ± 1.0 XX.X ± 0.25 XX.XX ± 0.1
FINISH:	
DRAWN NAME Jan Sandberg	DATE 14/09/2015



5	Updated with relevant notes	19/05/2022
4	451 Sealing method changed to O-ring seal	03/10/2019
Issue ECN	Notes	Date
TITLE: Ø250mm Subsea Inclinometer, $\pm 3^\circ$		
DWG NO.	3700-1	A4
Used on:	5648-4	SCALE:1:3

FO055 - Issue 1