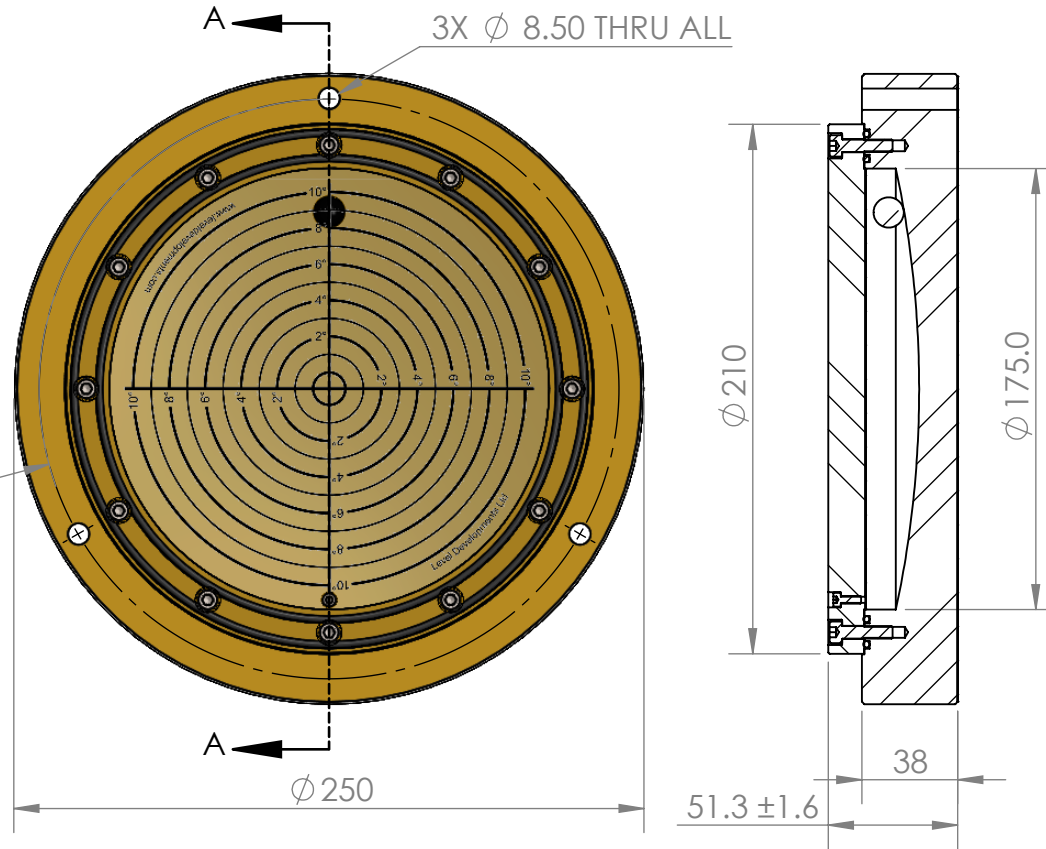


Note:
 Ball Inclinometer, $\pm 10^\circ$, liquid filled.
 Black Ceramic Ball, 12mm diameter
 Temperature range: -10 to 50°C
 Yellow (RAL1004) anti reflective backing
 Hi visibility black lines and numbers

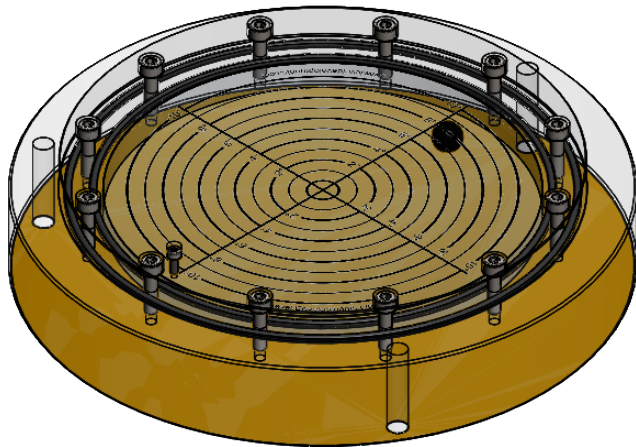
Air bubble(s) may exist
 inside ($\leq 10\text{mm } \varnothing$), this
 does not affect quality or
 performance.



Storage and Handling Notice:

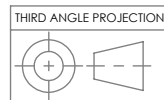
Exposure to rapid temperature
 change can introduce bubbles
 and/or affect their size.

Do not expose to large temperature
 gradients or store in direct sunlight.



SECTION A-A

We reserve all intellectual property
 rights in connection with this document.
 Copyright © - Level Developments Ltd



MATERIAL: Cast Acrylic Sheet	Unless Otherwise Specified: Units: mm Tolerances: XX. ± 1.0 XX.X ± 0.25 XX.XX ± 0.1
FINISH:	
DRAWN NAME Jan Sandberg	DATE 14/09/2015



FO055 - Issue 1

5	Updated with relevant notes	19/05/2022
4	541 Total thickness changed fr 52.3 ± 1.6mm	11/02/2020
Issue	ECN Notes	Date
TITLE: Ø250mm Subsea Inclinometer, $\pm 10^\circ$		
DWG NO.	3703-1	A4
Used on:	5648-6	SCALE:1:3