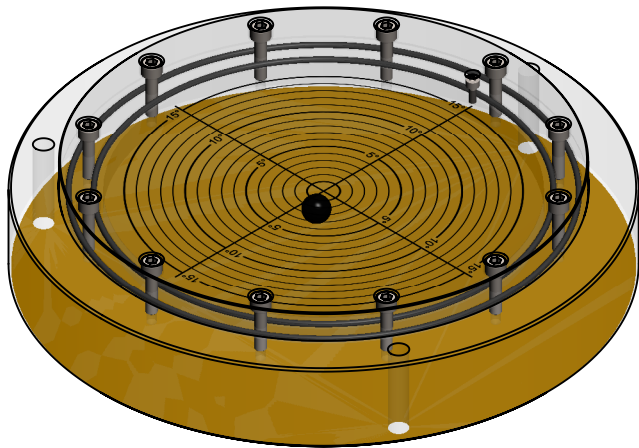
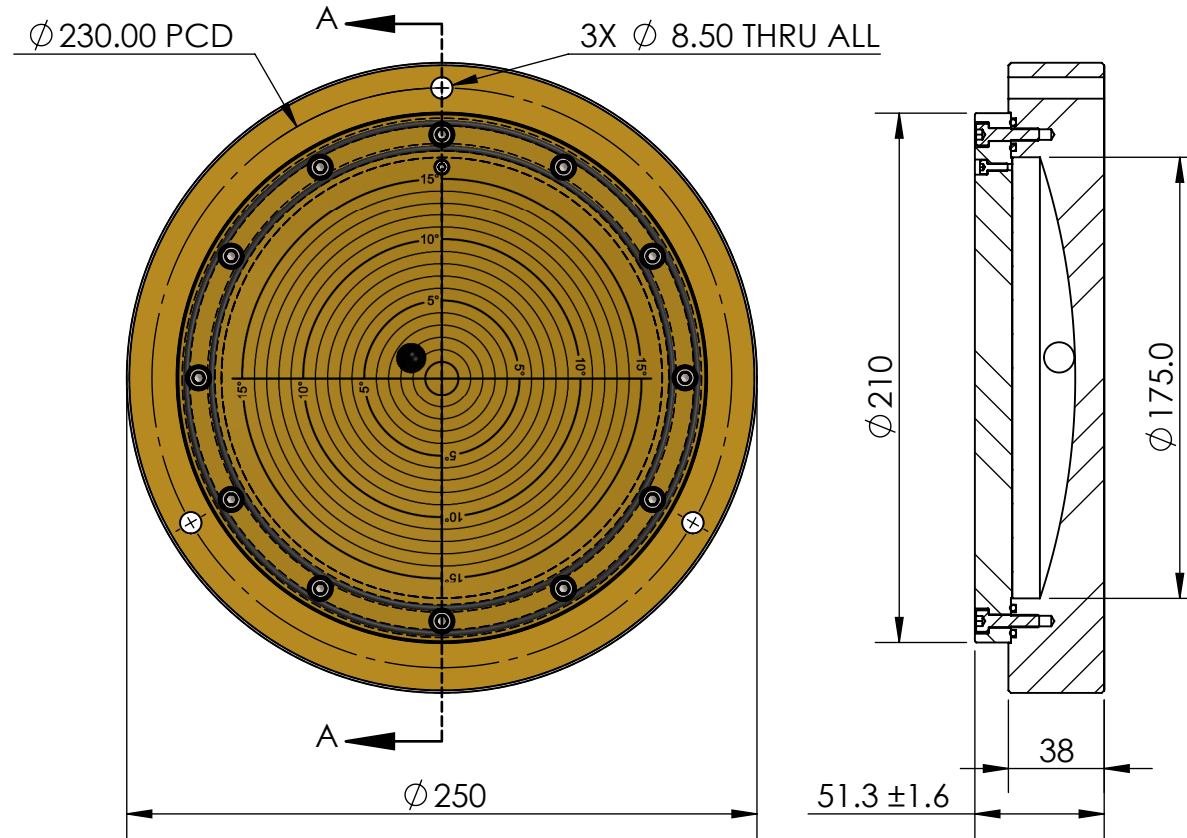
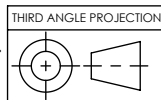


Note:  
 Ball Inclinometer,  $\pm 15^\circ$ , liquid filled.  
 Black Ceramic Ball, 12mm diameter  
 Temperature range: -10 to  $50^\circ\text{C}$   
 Yellow (RAL1004) anti reflective backing  
 Hi visibility black lines and numbers



SECTION A-A

We reserve all intellectual property rights in connection with this document.  
 Copyright © - Level Developments Ltd



MATERIAL:	Cast Acrylic Sheet	Unless Otherwise Specified: Units: mm Tolerances: XX. ± 1.0 XX.X ± 0.25 XX.XX ± 0.1
FINISH:		
DRAWN	NAME Jan Sandberg	DATE 14/09/2015



FO055 - Issue 1

4	541	Total thickness change fr. 52.3 ± 1.6mm	03/10/2019
Issue	ECN	Notes	Date
TITLE:		Ø250mm Subsea Inclinometer, $\pm 15^\circ$	
DWG NO.		3704-1	A4
Used on:		5648-7	SCALE:1:3