

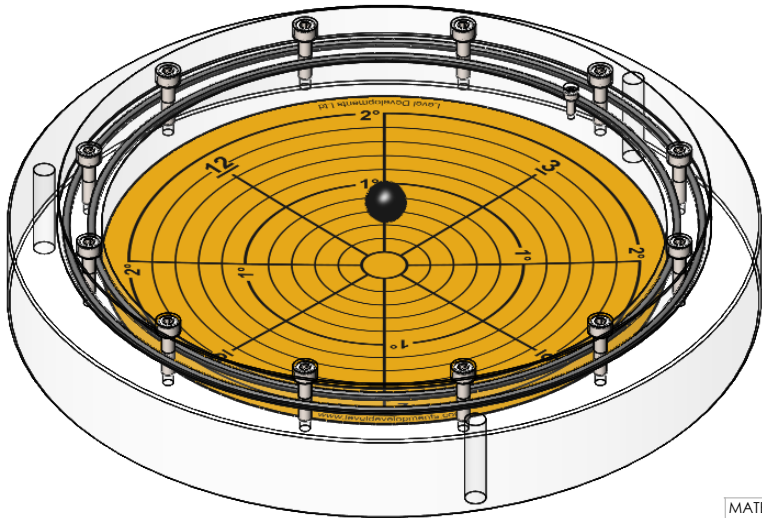
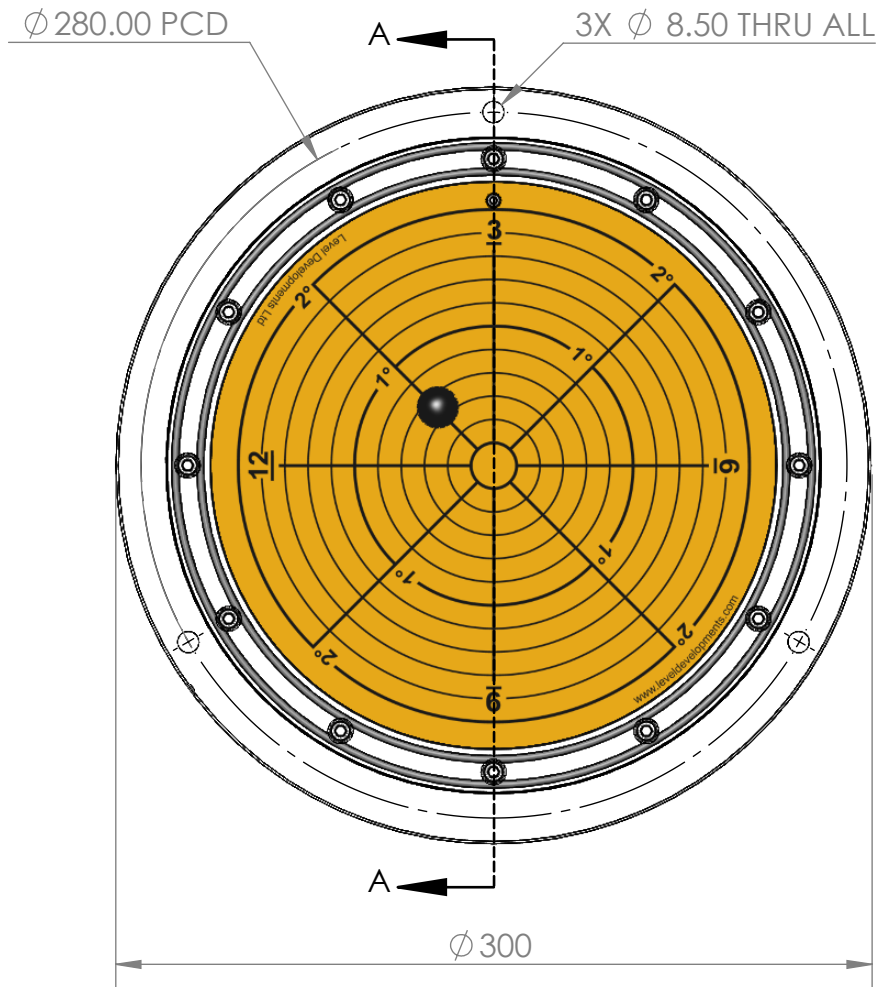
Note:
 Ball Inclinometer, $\pm 2^\circ$, liquid filled.
 Black Silicon Nitride ball, $\text{Ø}5/8''$ (15.9mm)
 Temperature range: -10 to 50 °C
 Yellow (RAL1004) anti reflective backing
 Hi visibility black lines and numbers

Air bubble(s) may exist
 inside ($\leq 10\text{mm } \text{Ø}$), this
 does not affect quality or
 performance.

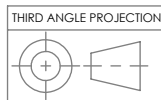
Storage and Handling Notice:

Exposure to rapid temperature
 change can introduce bubbles
 and/or affect their size.

Do not expose to large temperature
 gradients or store in direct sunlight.



We reserve all intellectual property
 rights in connection with this document.
 Copyright © - Level Developments Ltd



MATERIAL: Cast Acrylic	Unless Otherwise Specified: Units: mm Tolerances: XX. ± 1.0 XX.X ± 0.25 XX.XX ± 0.1
FINISH:	
DRAWN NAME Jan Sandberg	DATE 14/09/2015



FO055 - Issue 1

8	Updated with relevant notes	19/05/2022
7	578 Ball material changed from Stainless steel	01/10/2020
Issue	ECN Notes	Date
TITLE: Ø300mm Subsea Inclinometer, $\pm 2^\circ$		
DWG NO.	3710-1	A4
Used on:	5886-2	SCALE:1:3