

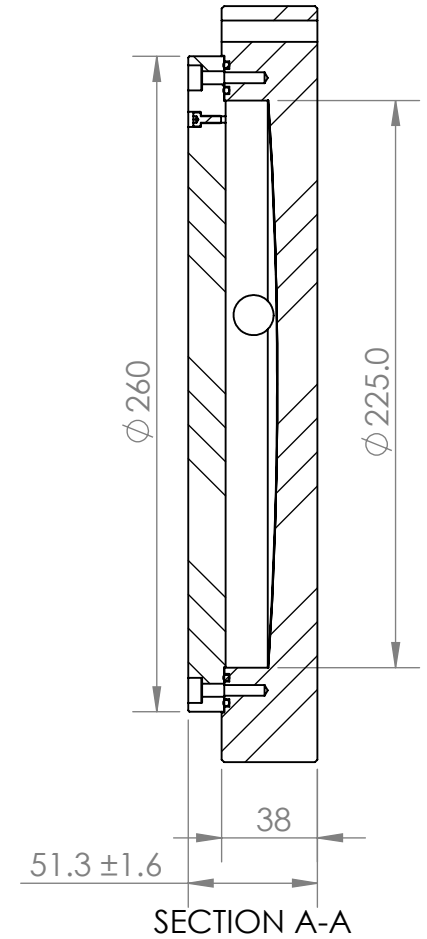
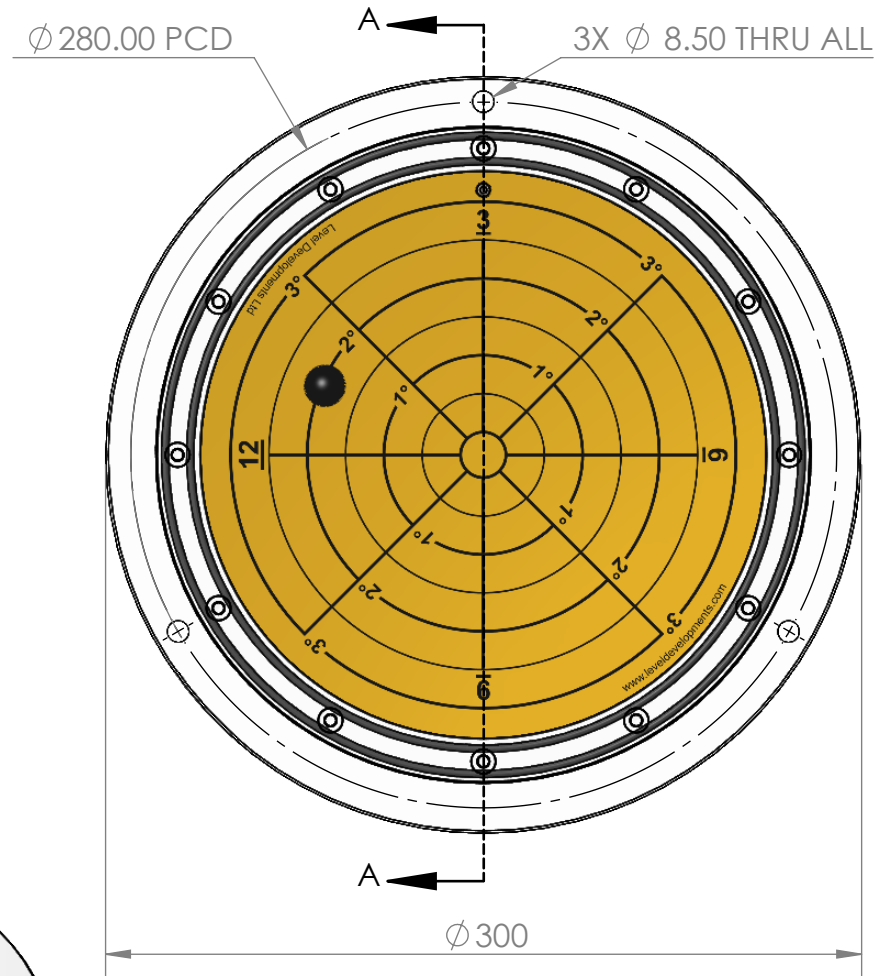
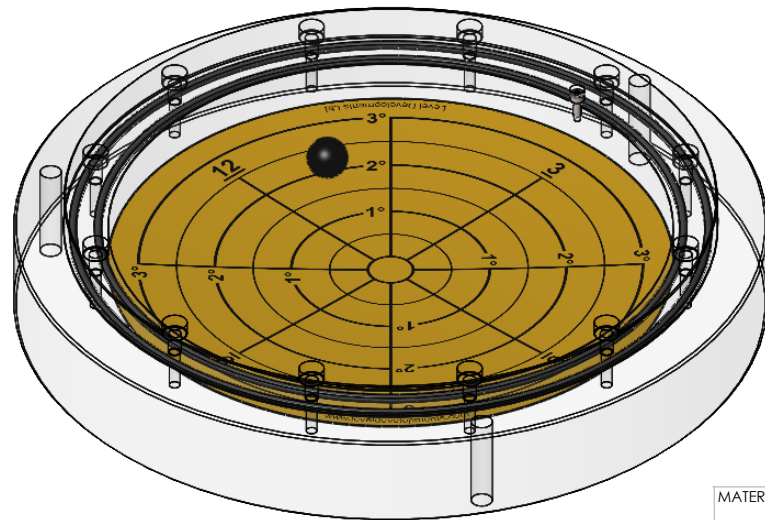
Note:  
 Ball Inclinometer,  $\pm 3^\circ$ , liquid filled.  
 Black Silicon Nitride ball,  $\varnothing 5/8"$  (15.9mm)  
 Temperature range: -10 to 50 °C  
 Yellow (RAL1004) anti reflective backing  
 Hi visibility black lines and numbers

Air bubble(s) may exist  
 inside ( $\leq 10\text{mm } \varnothing$ ), this  
 does not affect quality or  
 performance.

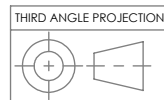
Storage and Handling Notice:

Exposure to rapid temperature  
 change can introduce bubbles  
 and/or affect their size.

Do not expose to large temperature  
 gradients or store in direct sunlight.



We reserve all intellectual property  
 rights in connection with this document.  
 Copyright © - Level Developments Ltd



MATERIAL: Cast Acrylic	Unless Otherwise Specified: Units: mm Tolerances: XX. ± 1.0 XX.X ± 0.25 XX.XX ± 0.1
FINISH:	
DRAWN NAME Jan Sandberg	DATE 14/09/2015



7	Updated with relevant notes	19/05/2022
6	578 Ball material changed from Stainless steel	01/10/2020
Issue	ECN Notes	Date
TITLE: <b>Ø300mm Subsea Inclinometer, <math>\pm 3^\circ</math></b>		
DWG NO.	<b>3711-1</b>	A4
Used on:	5886-3	SCALE:1:3