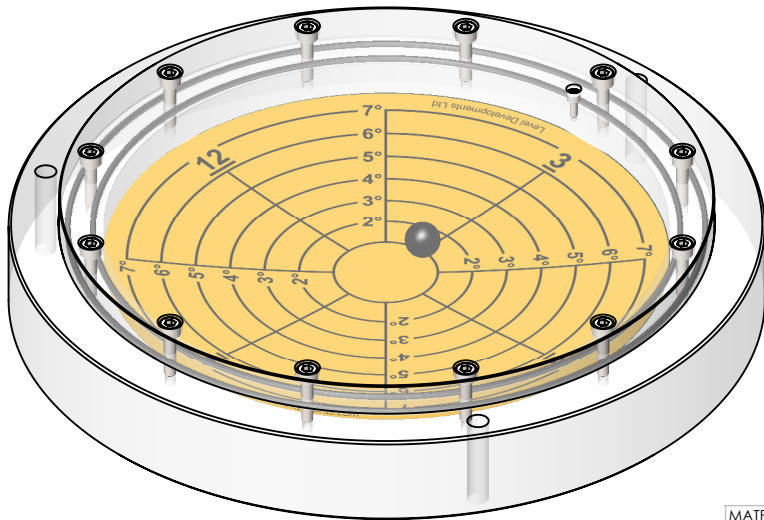
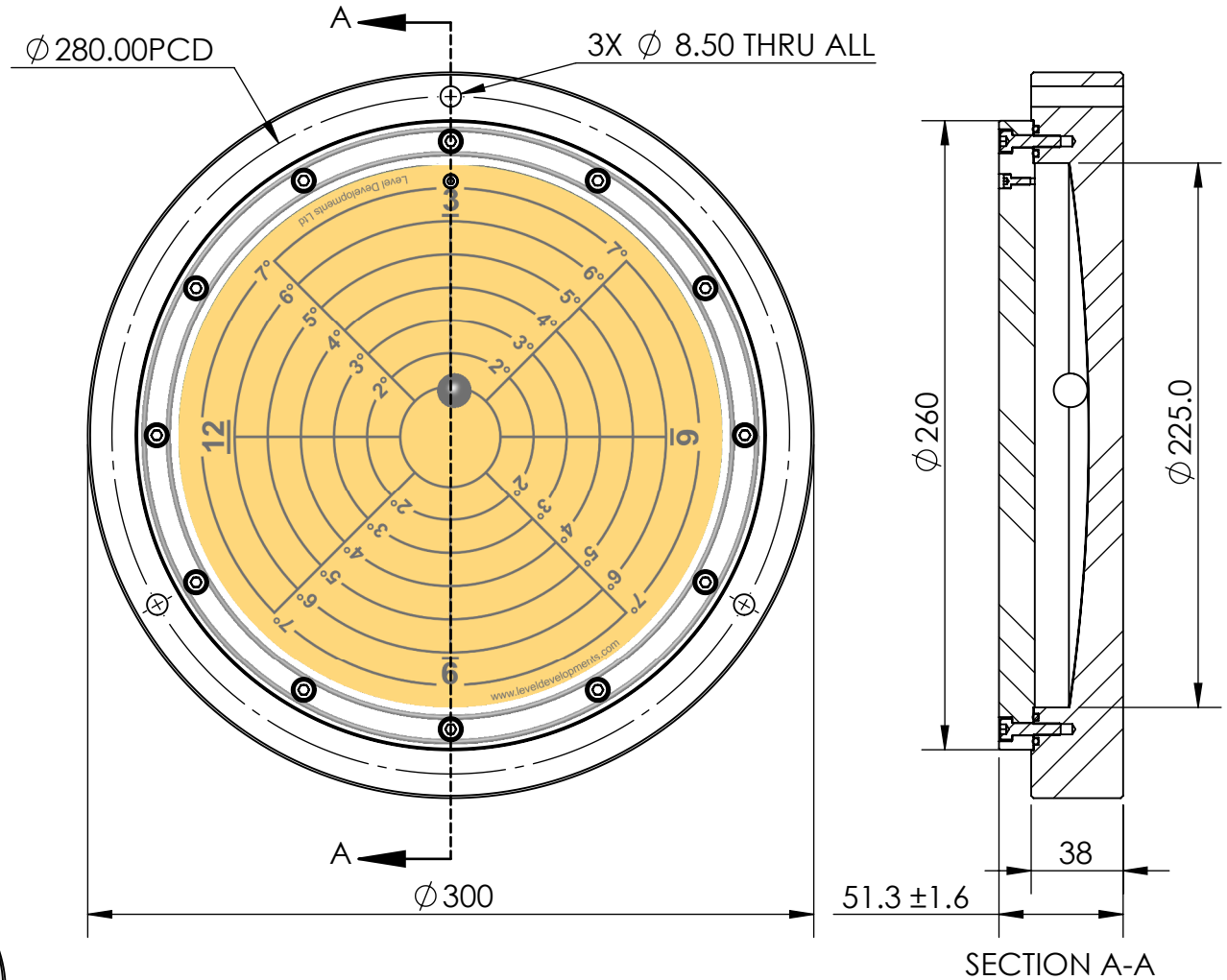
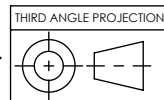


Note:
 Ball Inclinator, $\pm 7^\circ$, liquid filled.
 Black Silicon Nitride ball, $\varnothing 9/16"$ (14.3mm)
 Temperature range: -10 to 50 °C
 Yellow (RAL1004) anti reflective backing
 Hi visibility black lines and numbers



We reserve all intellectual property rights in connection with this document.
 Copyright © - Level Developments Ltd



MATERIAL: Cast Acrylic	Unless Otherwise Specified: Units: mm Tolerances: XX. ± 1.0 XX.X ± 0.25 XX.XX ± 0.1
FINISH:	
DRAWN NAME Jan Sandberg	DATE 14/09/2015



FO055 - Issue 1

7	541	Total thickness changed from 52.3 ± 1.6mm	02/04/2020
Issue	ECN	Notes	Date
TITLE:		Ø300mm Subsea Inclinometer, $\pm 7^\circ$	
DWG NO.		3713-1	
Used on:		5886-1	SCALE:1:3
		A4	