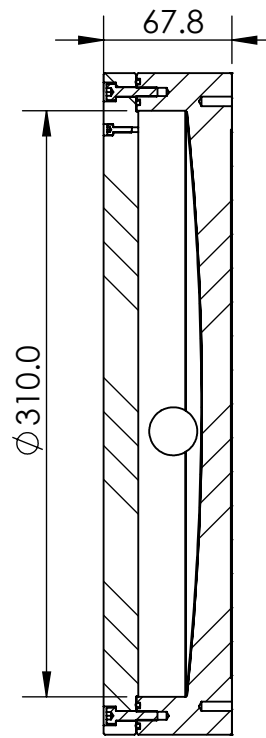
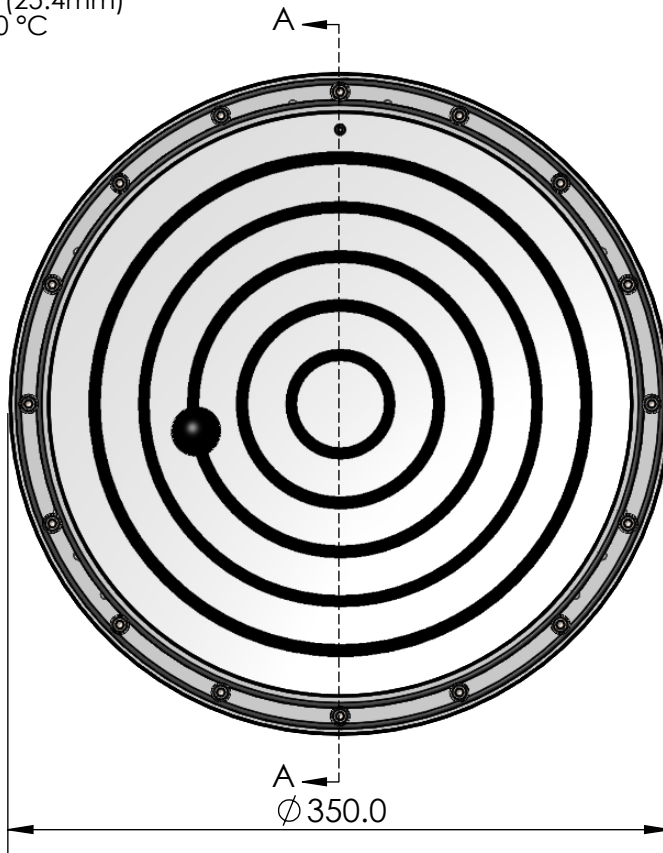
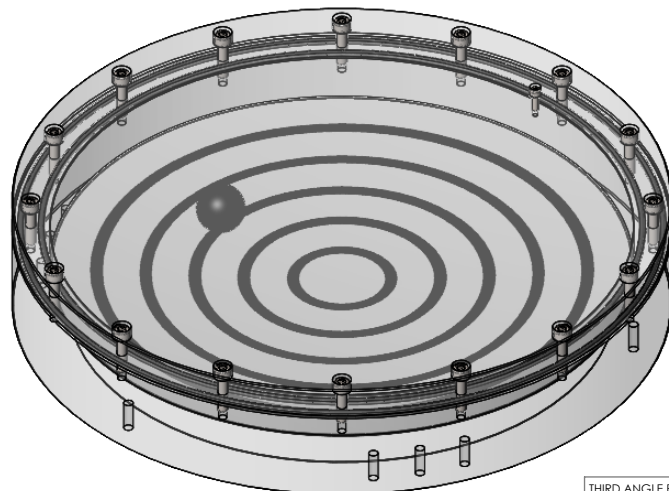
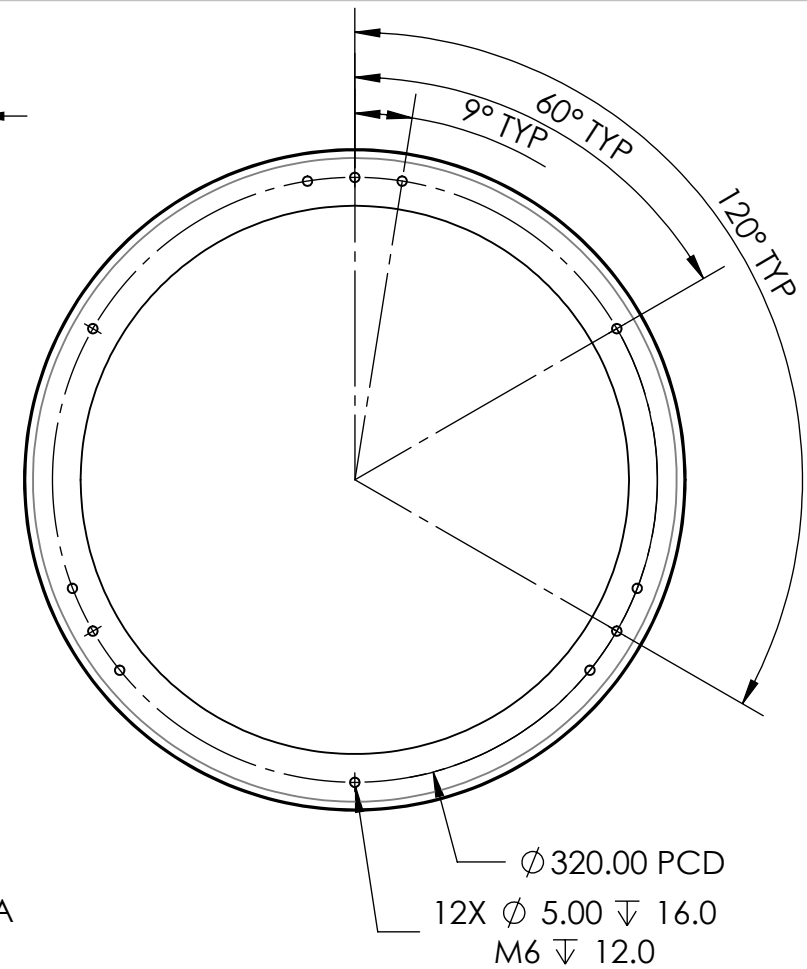


Note:  
 Ball Inclinometer,  $\pm 5^\circ$ , liquid filled.  
 Black Silicon Nitride ball,  $\text{Ø}1''$  (25.4mm)  
 Temperature range: -10 to 50 °C  
 White backing  
 Hi visibility black lines  
 Line width - 6mm  
 Each ring represents 1°

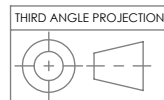
Air bubble(s) may exist inside ( $\leq 10\text{mm } \text{Ø}$ ), this does not affect quality or performance.



SECTION A-A



We reserve all intellectual property rights in connection with this document.  
 Copyright © - Level Developments Ltd



Storage and Handling Notice:

Exposure to rapid temperature change can introduce bubbles and/or affect their size.

Do not expose to large temperature gradients or store in direct sunlight.

6		Updated with relevant notes	19/05/2022
5	665	6x M6 mounting holes added	23/04/2021
Issue	ECN	Notes	Date
TITLE:			<b>Ø350mm Subsea Inclinometer, <math>\pm 5^\circ</math></b>
DWG NO.			<b>3721-1</b>
Used on:			6087-1
SCALE:			1:4

MATERIAL:	Cast Acrylic	Unless Otherwise Specified: Units: mm Tolerances: XX. ± 1.0 XX.X ± 0.25 XX.XX ± 0.1
FINISH:		
DRAWN	NAME Jan Sandberg	DATE 14/09/2015



FO055 - Issue 1

A4