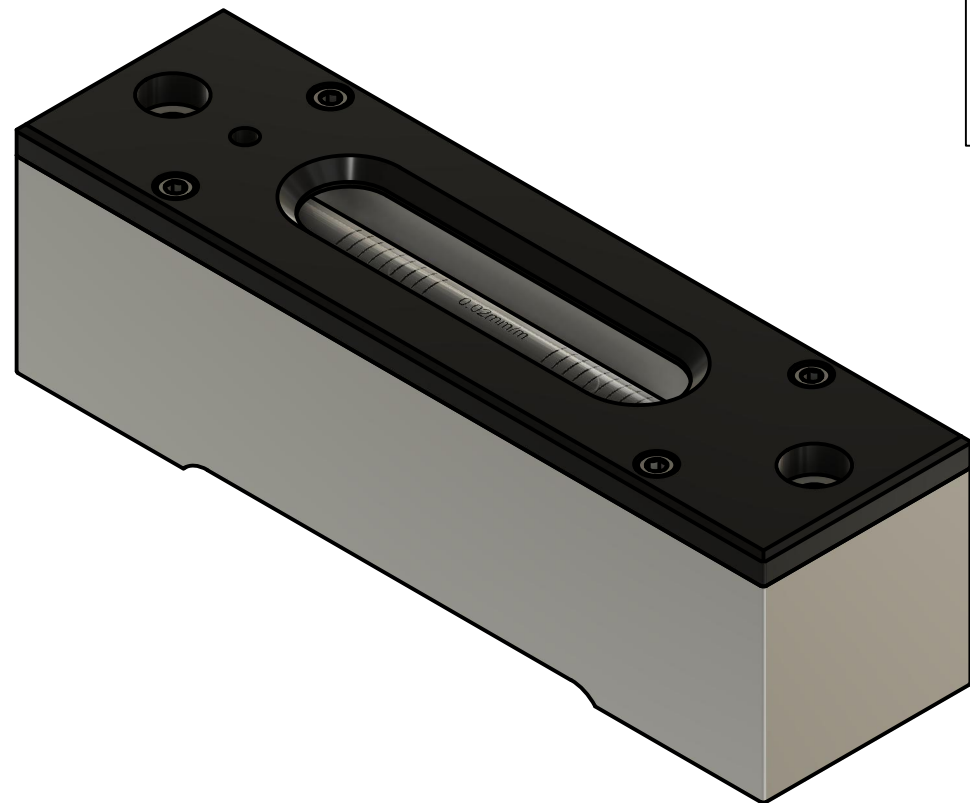
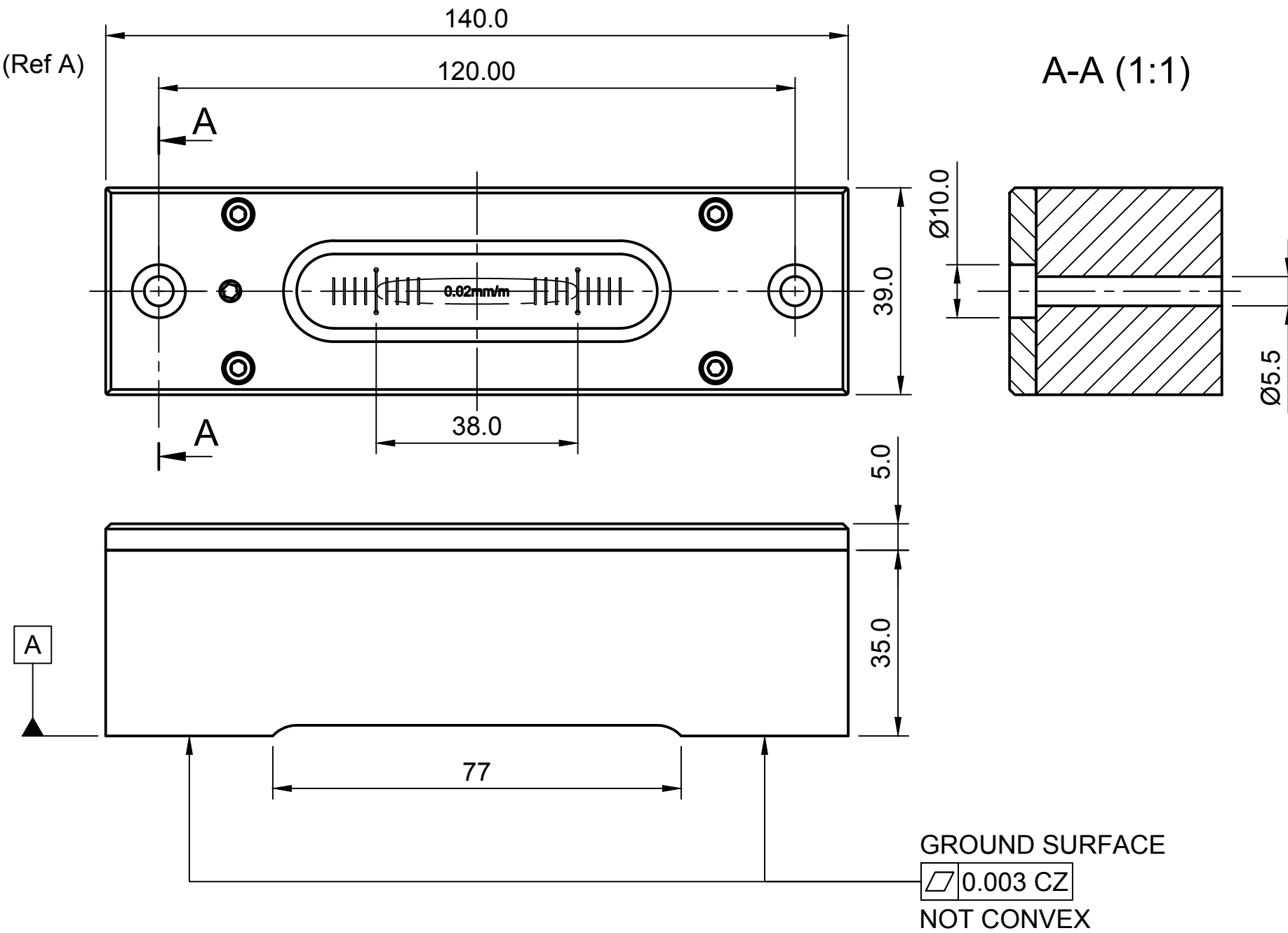


Note:
Level within half division in respect to the base (Ref A)



2	Packing instructions removed	26/05/2020
1	Open for production	22/04/2020
Issue	ECN	Notes
		Date

Unless Otherwise Specified: Units: mm Tolerances: XX ± 1.0 XX.X ± 0.25 XX.XX ± 0.1		THIRD ANGLE PROJECTION	FINISH: Unfinished	TITLE: Precision Level, 0.02mm/m	
			DEBUR AND BREAK SHARP EDGES		
			MATERIAL: Stainless Steel (Base) Black Acetal (Top)	DWG NO. 5745-2	
DRAWN Jan Sandberg		DATE 24/03/2020	FO079 - Issue 1		A3
CHK'D			Used on:		SCALE:1:1
APPVD			SHEET1/1		
DO NOT SCALE DRAWING					