

Note:

Glass vial, Ø8mm with black ceramic ball

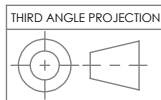
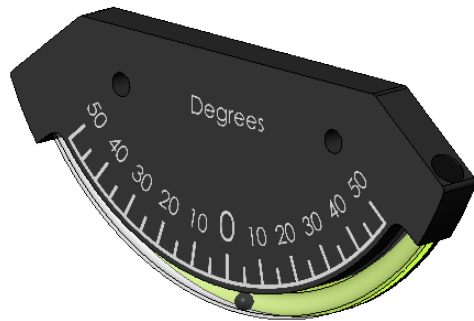
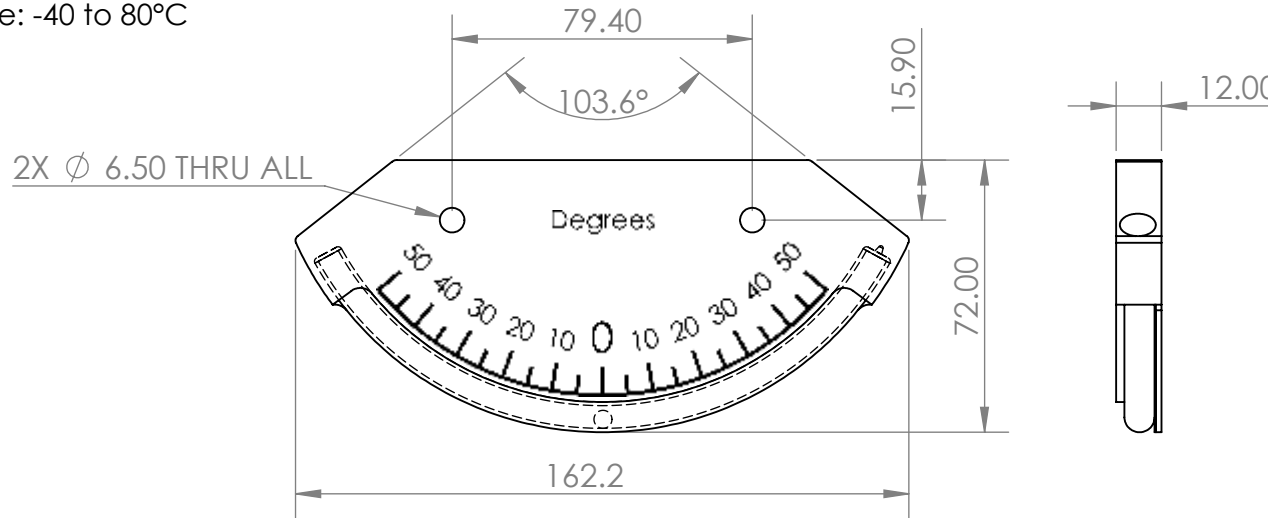
Engraved graduations and text

Filling: Clear liquid

Operational temperature range: -20 to 70°C

Storage temperature range: -40 to 80°C

Yellow backing



We reserve all intellectual property rights in connection with this document.
Copyright © - Level Developments Ltd
Confidential - Do Not Distribute

Unless Otherwise Specified:
Units: mm
Tolerances:
XX. ± 1.0
XX.X ± 0.25
XX.XX ± 0.1

FINISH:

Black Anodised

DEBUR AND
BREAK SHARP
EDGES

	NAME	SIGNATURE	DATE
DRAWN	Jan Sandberg		10/05/2017
CHK'D			
APPV'D			
MFG			
Q.A			

MATERIAL:
Aluminium housing

2	409	Change white printed graduation lines to laser engraving	25/10/2017
1		Opened for production	21/09/2017
Issue	ECN	Notes	Date

TITLE:
BI-50 ball inclinometer ±50°

DWG NO.

5845-1

A4

DO NOT SCALE DRAWING

FO027 - Issue 3

Used on:

SCALE:1:2

SHEET 1 OF 1