

Note:

Sensitivity: 39' /2mm

Operational Temp. Range: -20 to 65°C

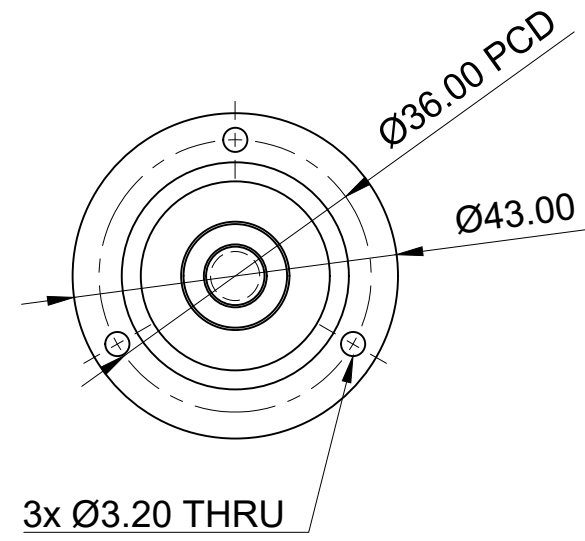
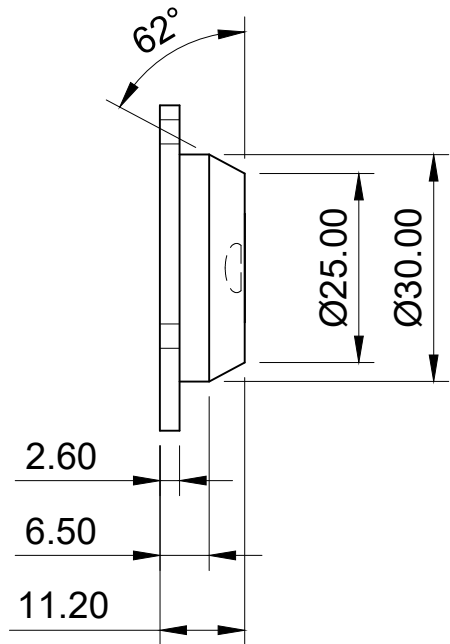
Storage Temp. Range: -40 to 70°C

Inner ring: Ø8.0 ±0.1mm (centre to centre)

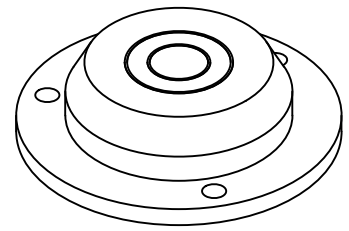
Outer ring: Ø14.0 ±0.1mm (centre to centre)

Width: 0.3mm

Bubble size: 6.5 ±1.0mm



Part No	Edge colour	Liquid colour
AVF43CG	Clear	Green
AVF43BG	Black	Green
AVF43B	Black	Clear



C		Projection updated	21/04/2021
B		Bubble size updated, types added as table	23/03/2021
A		1st Draft	05/02/2021
Issue	ECN	Notes	Date

Unless Otherwise Specified: Units: mm Tolerances: XX. ± 1.0 XX.X ± 0.25 XX.XX ± 0.1		THIRD ANGLE PROJECTION		FINISH: DEBUR AND BREAK SHARP EDGES		TITLE: AVF43 Plastic Circular Level	
NAME		DATE		MATERIAL:		DWG NO.	
DRAWN Jan Sandberg		25/01/2021		PMMA, CLEAR		6275-102	
CHK'D						A4	
APPV'D							
DO NOT SCALE DRAWING				FO079 - Issue 1		Used on:	
						SCALE: 1:1 SHEET 1/1	



leveldevelopments

We reserve all intellectual property

Copyright © - Level Developments Ltd
Confidential - Do Not Distribute