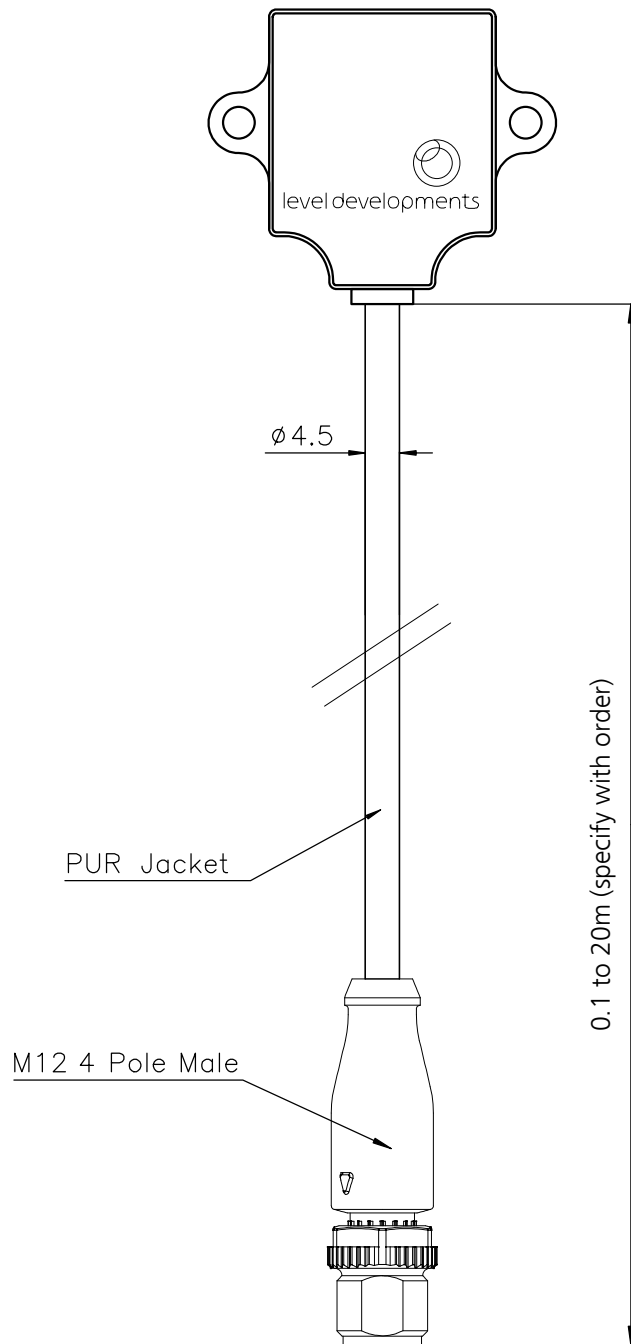


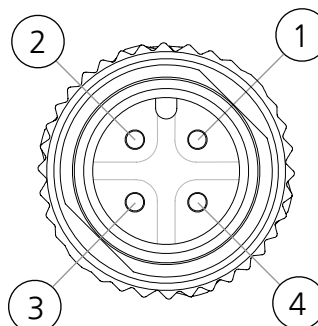


Moulded M12 (x4) Cable Plug Connector Option

Common values	
Connector Design	Cable plug connector
Connector locking system	screw
Termination	crimp, injection-moulded
Wire gauge (mm)	0.25 mm ²
Wire gauge (AWG)	24
Upper temperature	85 °C
Lower temperature	-25 °C
Electrical values	
Rated voltage	60 V
Rated impulse voltage	800 V
Pollution degree	3
Overvoltage category	II
Material group	II
Rated current (40°C)	4 A
Volume resistivity	≤ 3 mΩ
Degree of protection	IP67
Mechanical operation	> 100 mating cycles
Material	
Material of contact	CuZn (Brass)
Contact plating	Au (Gold)
Material of contact body	PUR
Material of housing	PUR
Cable data	
material housing	PUR
Insulation single lead	PVC
Single lead structure	32 x 0.1
Cable sheath Ø	4.5
Conductor resistance	72Ω/Km
Temperature range :	
Cable movable °C from	-5
Cable movable °C to	70
Cable fixed °C from	-15
Cable fixed °C to	70
Bending radius cable fixed	min. 5 x D
Bending radius cable movable	min. 10 x D



Pin Number	Internal Wire Colour	Function
1	Brown	Positive Supply
2	White	V2 (Y Axis) Vout
3	Blue	GND (0V)
4	Black	V1 (X Axis) Vout

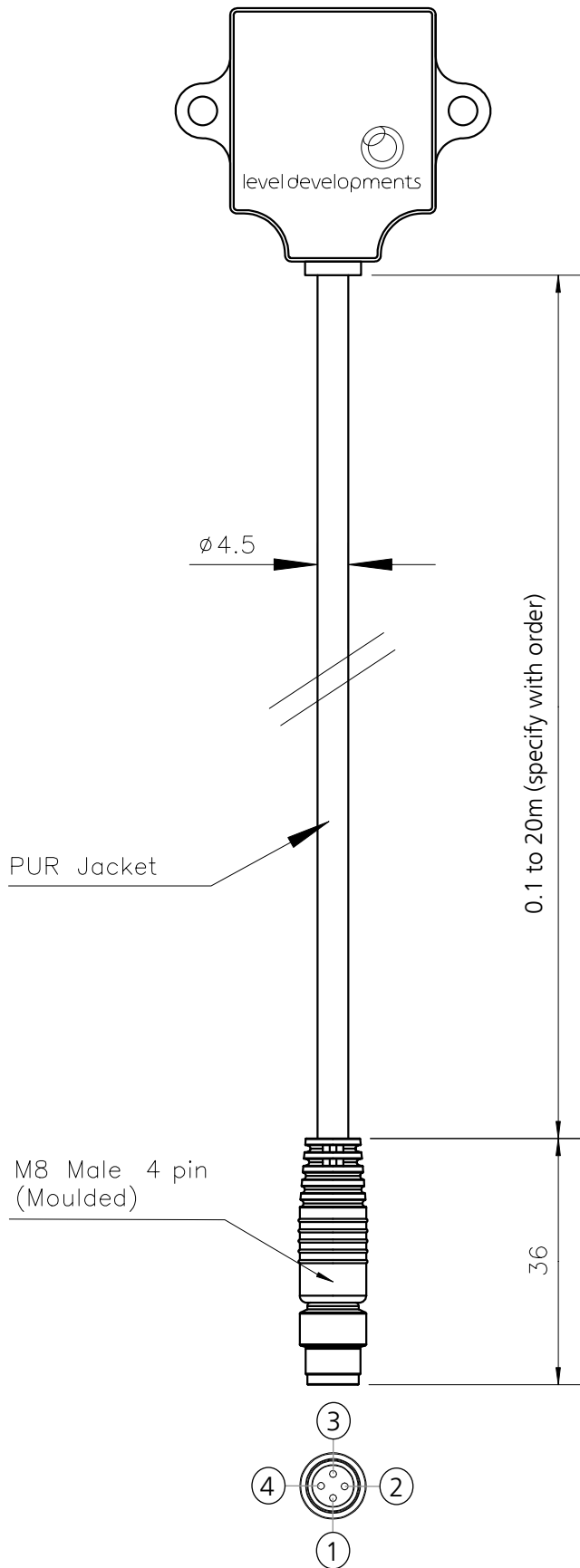


M12 male connector viewed from pin end



Moulded M8 (x4) Cable Plug Connector Option

Common values	
Connector Design	Cable plug connector
Connector locking system	screw
Termination	crimp, injection-moulded
Wire gauge (mm)	0.25 mm ²
Wire gauge (AWG)	24
Upper temperature	85 °C
Lower temperature	-25 °C
Electrical values	
Rated voltage	60 V
Rated impulse voltage	800 V
Pollution degree	3
Overvoltage category	II
Material group	II
Rated current (40°C)	4 A
Volume resistivity	≤ 3 mΩ
Degree of protection	IP67
Mechanical operation	> 100 mating cycles
Material	
Material of contact	CuZn (Brass)
Contact plating	Au (Gold)
Material of contact body	PUR
Material of housing	PUR
Cable data	
material housing	PUR
Insulation single lead	PVC
Single lead structure	32 x 0.1
Cable sheath Ø	4.5
Conductor resistance	72Ω/Km
Temperature range :	
Cable movable °C from	-5
Cable movable °C to	70
Cable fixed °C from	-15
Cable fixed °C to	70
Bending radius cable fixed	min. 5 x D
Bending radius cable movable	min. 10 x D



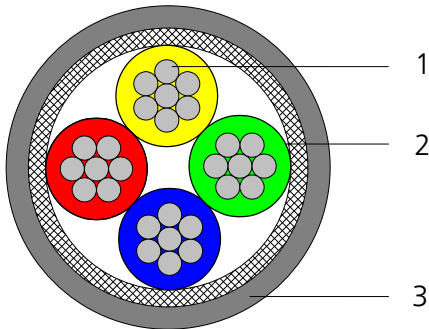
Pin Number	Internal Wire Colour	Function
1	Brown	GND (0v)
2	White	V2 (Y Axis) Vout
3	Blue	Positive Supply
4	Black	V1 (X Axis) Vout



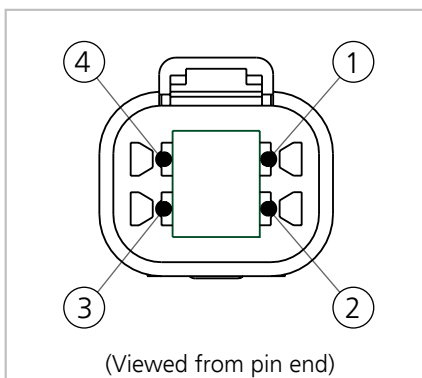
Moulded Deutsch DT Series (DT04-4P 4 Pole) Connector Option

Standard cable is 0.4m long. Cables can be supplied in any length.

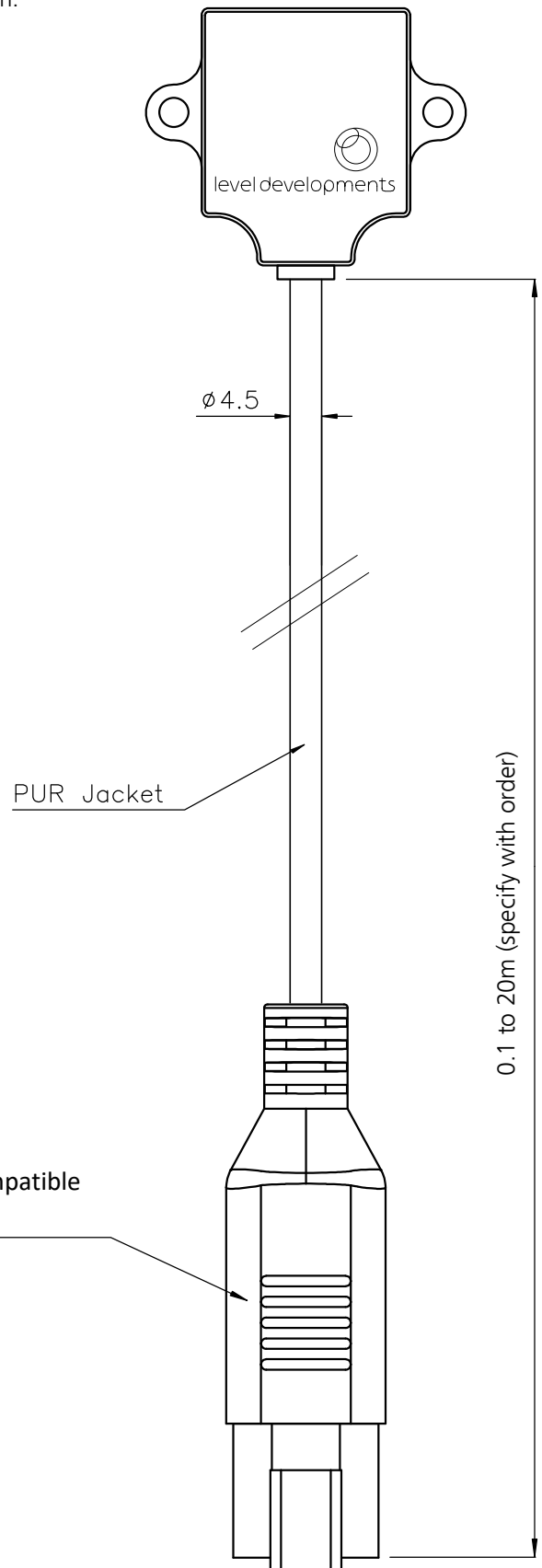
1. Core wires, tin plated copper, 41x0.08mm strands per conductor (24 AWG).
2. 4 conductors, colours red, blue, yellow and green. PVC core insulation.
3. Black PUR Solar jacket. Flame retardant, reduced smoke generation, zero halogen, excellent for use in water and oil, good for use in acids and fuels, radiation tolerance: 10E6 Gy, UV stable, suitable for continuous outdoor use.



Parameter	Value	Unit	Notes
Approximate Weight	50	g/m	
Operating Temperature	-20 to 70	°C	Dynamic
Operating Temperature	-40 to 85	°C	Fixed
Conductor Resistance	80	Ω/Km	Maximum
Insulation Resistance	1500	MΩ/Km	Minimum
Test Voltage	1	KV DC	
Voltage Rating	250	V	
Core Current Rating	1	A	At 40°C
Individual Core Diameter	1.3	mm	
Overall Diameter	4.5	mm	



Pin No.	Internal Wire Colour	Function
1	Red	+ve Supply
2	Blue	Ground
3	Yellow	V1 (X Axis) Vout
4	Green	V2 (Y Axis) Vout





AMP SuperSeal 1.5 Series (4 Pole) Connector Option

Pin Number	Internal Wire Colour	Function
1	Blue	Positive Supply
2	Brown	GND (0V)
3	White	V2 (Y Axis) Vout
4	Black	V1 (X Axis) Vout

