



Features

- USB to RS232 & RS485 interface cable, user selectable with the side-mounted switch.
- Built in 5V and 12V DC power supply to supply power for connected devices, user selectable with the side-mounted switch.
- Available in 2m length with bare wires ends, or 0.5m with M12 Female connector.
- FTDI chipset compatible with Windows, MacOS and Linux operating systems.
- CE certified and RoHS compliant.
- Manufactured and tested in the UK.

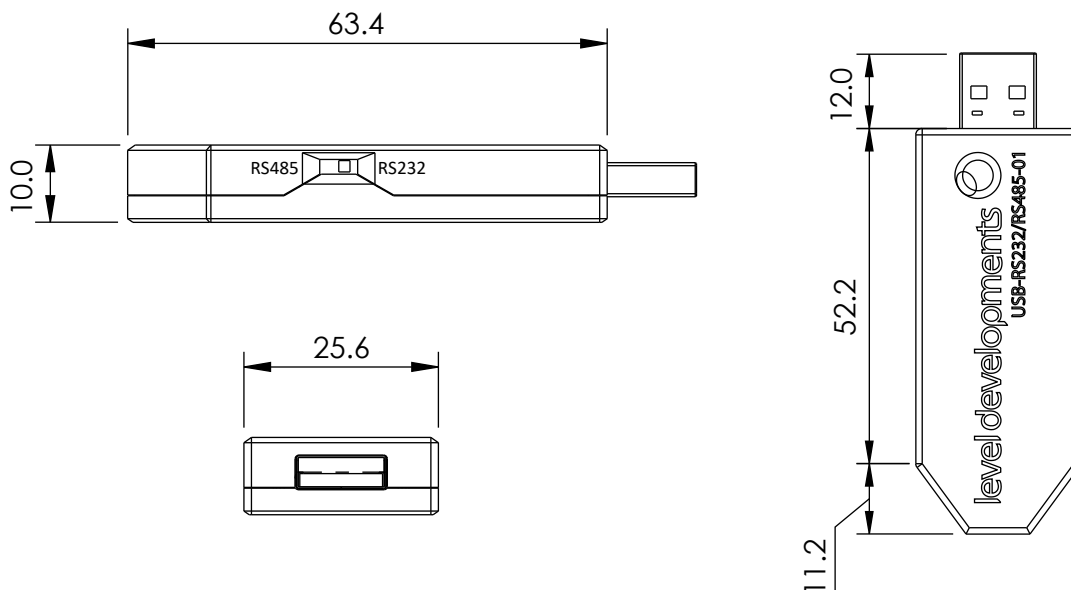


Description

The USB-RS232/RS485 is a USB to serial converter cable which combines a user-selectable RS232/RS485 serial communication interface, with a user-selectable 5V and 12V DC power supply. Originally designed for connecting Level Developments inclinometer sensors to a computer, they can be used with a wide range of other devices, making them an ideal tool for engineers and engineering hobbyists. They feature an FTDI chipset compatible with Windows, MacOS and Linux operating systems, and there is a switch on either side for simple selection between the two communications interfaces

and power supply modes. One end of the cable is terminated with a USB A type connector, making it compatible with any computer. The other end is available with either bare ended wires, or a female M12 connector with 5 pins. This option is chosen at the time of ordering by selecting the appropriate part number. The RS232 interface is full duplex, whereas the RS485 interface is half-duplex. They are CE and RoHS certified and each device is manufactured and individually tested in our UK factory before sale.

Dimensions



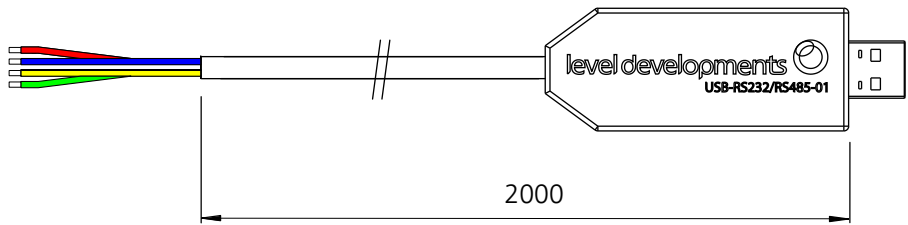


USB-RS232/RS485-01 - Cable Option

Parameter	Value	Unit
Jacket material	PUR	
Braided screen	85	%
Approximate Weight	40	g/m
Operating Temperature	-20 to 70	°C
Conductor Resistance	100	Ω/Km
Insulation Resistance	1500	MΩ/Km
Test Voltage	1	KV DC
Voltage Rating	250	V
Core Current Rating	0.5	A
Individual Core Diameter	1.1	mm
Overall Diameter	4.5	mm



Wire Colour	Function
Red	+ve Supply
Blue	Gnd (0v)
Yellow	RS485 B or RS232 Rxd
Green	RS485 A or RS232 Txd



USB-RS232/RS485-02 - Cable Option

Parameter	Value
Connector description	M12 5-pin female
Connector make-up	Over-moulded
Coding	A-coded
Overall length	0.5 meters
Connector seal rating	IP67
Braided	Yes
Braid type	Tin plated Copper
Jacket material	PUR
Jacket diameter	4.7mm (max)
Wire Gauge	24 AWG
Conductor strands	41x0.08mm



Pin Number	Function
1	+ve Supply
2	Gnd (0v)
3	RS485 A or RS232 Txd
4	RS485 B or RS232 Rxd
5	N/A

